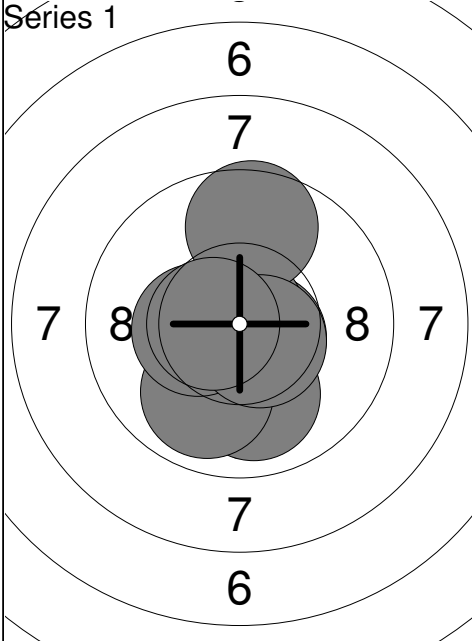


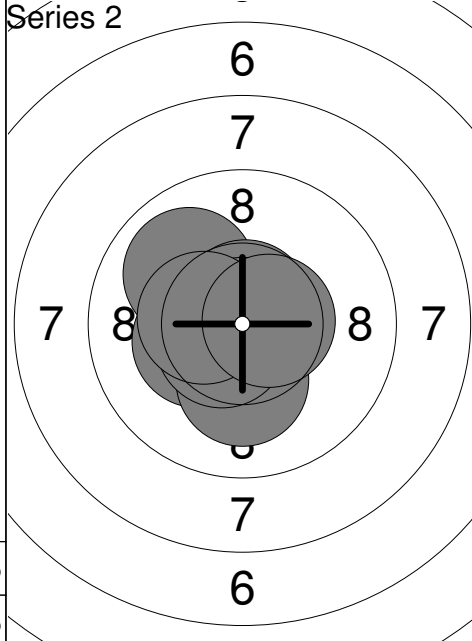
Relay 1	Lane 18	Marcus Madsen
-------------------	-------------------	----------------------

1 Air	SWE	ARM
-------	-----	-----

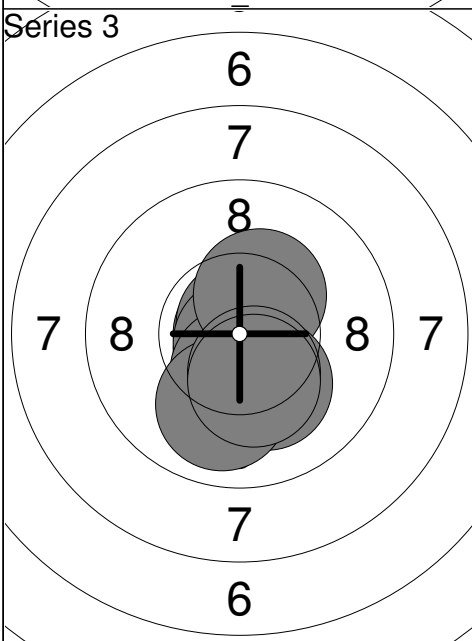
17.11.2019	Kankaanpaaopen 17.11	Kankaanpään ampumaurheilijat
------------	----------------------	------------------------------



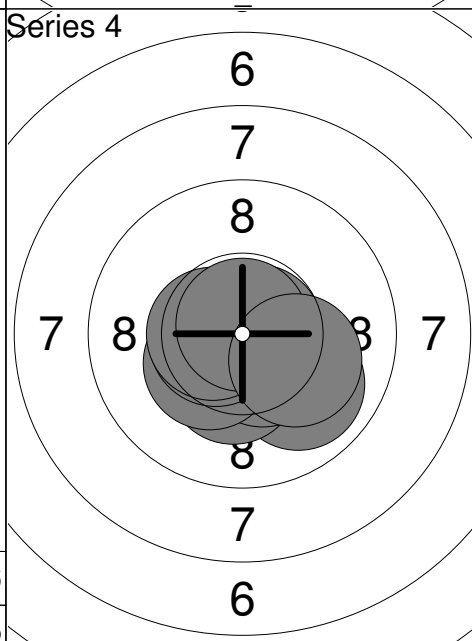
1:	10.6x	←
2:	10.2x	↓
3:	10.6x	↘
4:	10.0	↓
5:	10.9x	↑
6:	9.9	↓
7:	9.6	↑
8:	10.4x	←
9:	10.5x	↘
10:	10.6x	←
Series	103.3	
	103.3	



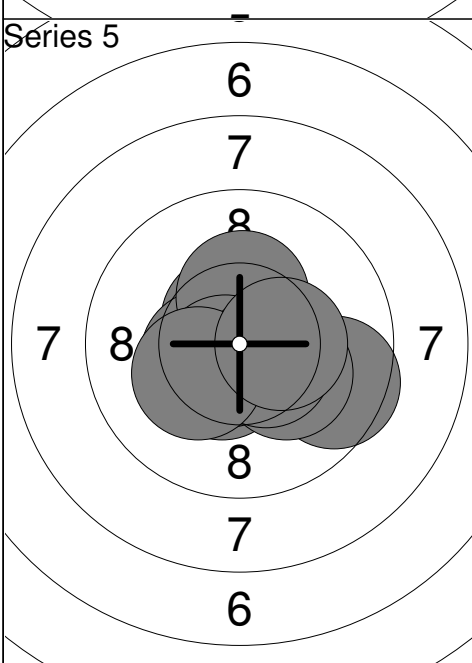
1:	9.9	↖
2:	10.5x	↓
3:	10.7x	↑
4:	10.3x	←
5:	10.9x	
6:	10.5x	↓
7:	10.2x	↓
8:	10.6x	←
9:	10.4x	←
10:	10.6x	→
Series	104.6	
	207.9	



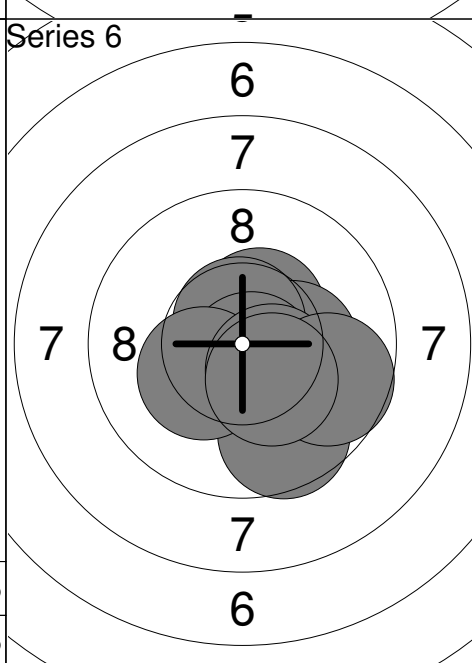
1:	10.9x	
2:	10.8x	↑
3:	10.7x	↓
4:	10.8x	↓
5:	10.4x	↓
6:	10.3x	↑
7:	10.2x	↓
8:	9.9	↓
9:	10.4x	↓
10:	10.2x	↓
Series	104.6	
	312.5	



1:	9.9	↘
2:	10.3x	↓
3:	10.5x	↓
4:	10.8x	↓
5:	10.3x	←
6:	10.6x	←
7:	10.7x	→
8:	10.5x	←
9:	10.8x	↑
10:	10.1	↘
Series	104.5	
	417.0	

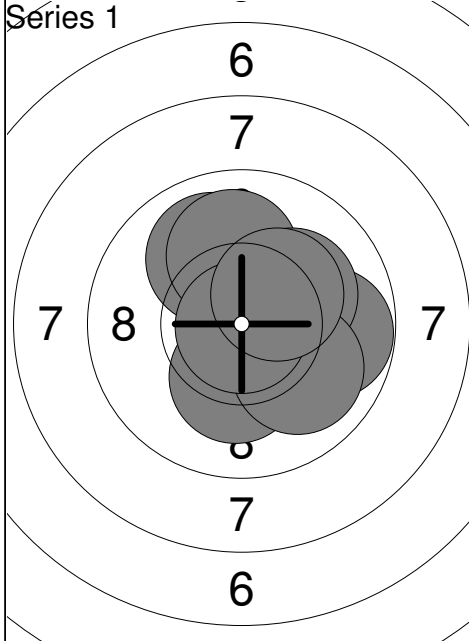


1:	9.5	↘
2:	10.6x	↖
3:	10.5x	↓
4:	10.5x	←
5:	10.3x	↑
6:	10.2x	↘
7:	10.6x	↓
8:	10.5x	↘
9:	10.2x	←
10:	10.4x	→
Series	103.3	
	520.3	

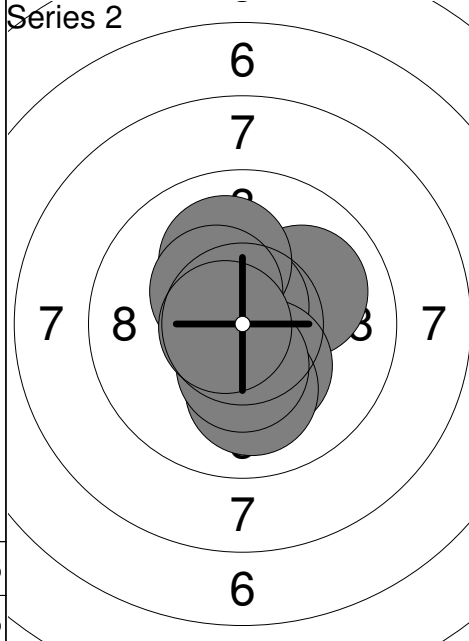


1:	10.5x	↑
2:	10.2x	→
3:	10.7x	↑
4:	10.5x	↓
5:	9.6	↓
6:	10.7x	↓
7:	10.3x	←
8:	10.4x	↘
9:	9.7	↘
10:	10.3x	↘
Series	102.9	
	623.2	

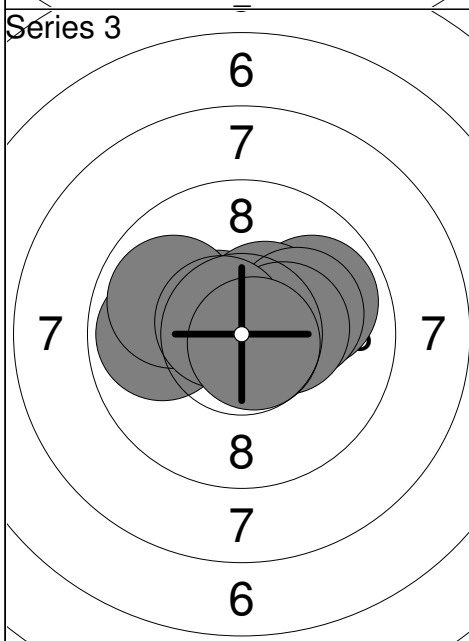
Relay	Lane	Marko Kangas	
1 Air	19	IMAS	ARM
17.11.2019	Kankaanpaaopen 17.11	Kankaanpään ampumaurheilijat	
Series 1		1: 9.6 ← 2: 9.2 ↓ 3: 10.2x → 4: 10.1 ← 5: 8.8 ↖ 6: 8.9 ↓ 7: 9.9 ← 8: 10.1 ↓ 9: 10.0 ↗ 10: 10.4x ↓ Series 97.2 97.2	Series 2
			1: 10.1 → 2: 9.5 → 3: 9.2 ↘ 4: 9.4 ↓ 5: 9.4 ← 6: 10.0 ↗ 7: 9.8 ← 8: 8.9 ← 9: 10.5x → 10: 9.4 ↖ Series 96.2 193.4
Series 3		1: 9.6 ← 2: 8.5 ← 3: 10.8x ↗ 4: 10.6x → 5: 9.0 ← 6: 9.1 ← 7: 9.4 ← 8: 9.3 ↗ 9: 10.3x ↘ 10: 9.8 ← Series 96.4 289.8	Series 4
			1: 9.9 ↘ 2: 9.8 ↓ 3: 8.3 ↗ 4: 10.0 ↘ 5: 10.1 → 6: 9.6 ↓ 7: 10.5x ↗ 8: 8.9 ↑ 9: 9.9 ↑ 10: 9.7 ↘ Series 96.7 386.5
Series 5		1: 9.9 ↖ 2: 10.1 ↗ 3: 9.5 ← 4: 9.6 ↗ 5: 9.7 → 6: 9.6 ← 7: 9.3 ← 8: 10.4x → 9: 9.8 ↓ 10: 10.3x ↑ Series 98.2 484.7	Series 6
			1: 9.1 ← 2: 8.2 ← 3: 9.2 ↗ 4: 9.8 ↗ 5: 9.6 ↑ 6: 10.3x ← 7: 10.9x → 8: 10.6x → 9: 8.8 ← 10: 9.5 ↗ Series 96.0 580.7



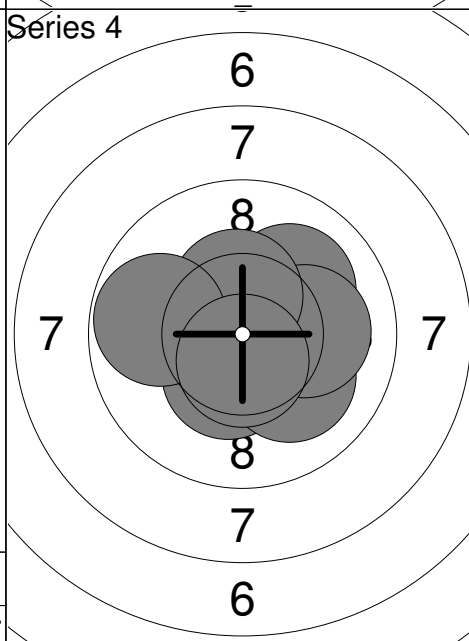
1:	10.2x ↓
2:	10.5x ➤
3:	9.8 ➔
4:	10.6x ↑
5:	10.0 ↗
6:	10.0 ↑
7:	10.1 ➔
8:	9.9 ↘
9:	10.9x ↓
10:	10.3x ↗
Series	102.3
	102.3



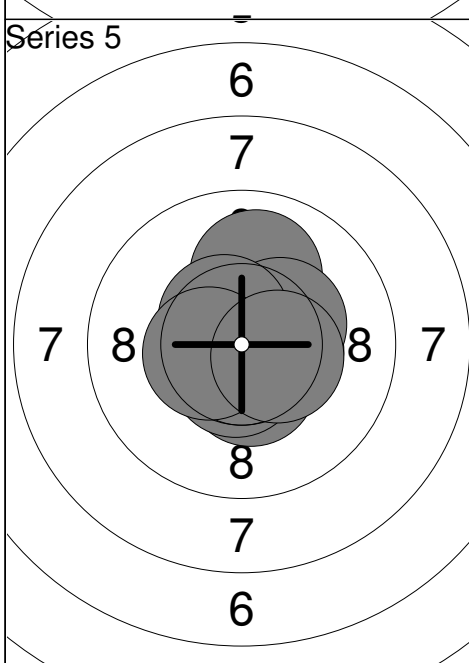
1:	10.9x
2:	10.0 ➔
3:	10.7x ↗
4:	10.7x ↑
5:	10.1 ↑
6:	10.3x ↘
7:	10.1 ↓
8:	10.4x ↓
9:	10.4x ↗
10:	10.7x ←
Series	104.3
	206.6



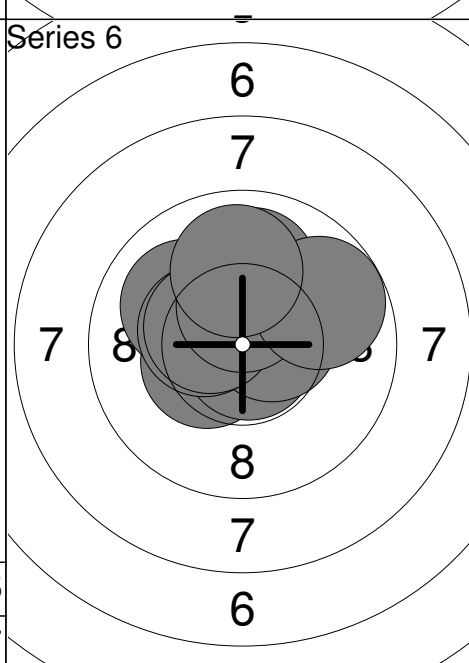
1:	10.5x ↘
2:	9.9 ➔
3:	10.8x ➔
4:	9.9 ←
5:	10.4x ↗
6:	10.1 ➔
7:	9.9 ←
8:	10.3x ➔
9:	10.6x ↘
10:	10.7x ↘
Series	103.1
	309.7



1:	10.5x ↗
2:	10.4x ↓
3:	10.1 ↘
4:	10.9x ➔
5:	10.0 ↗
6:	10.7x ➤
7:	10.1 ➔
8:	10.4x ↑
9:	9.8 ←
10:	10.6x ↓
Series	103.5
	413.2



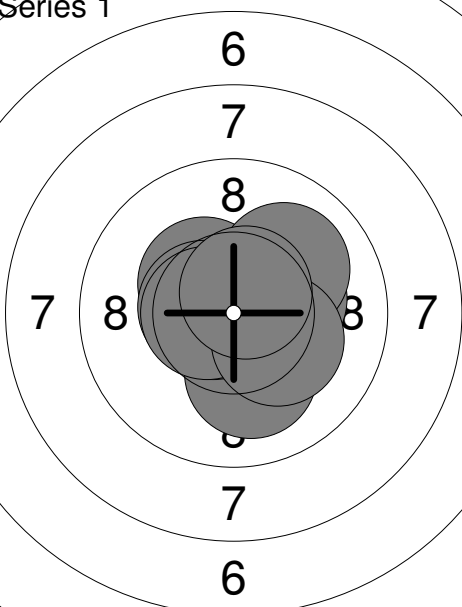
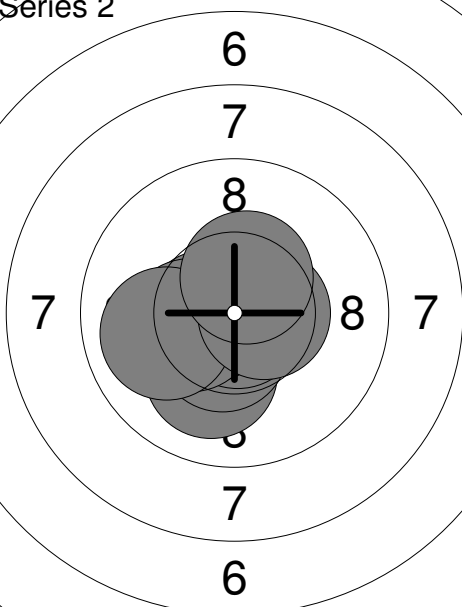
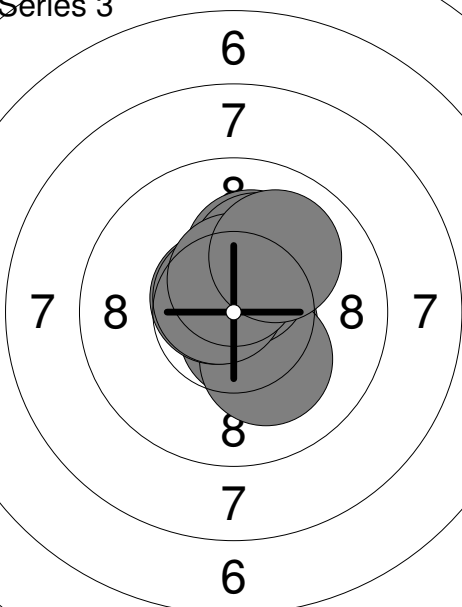
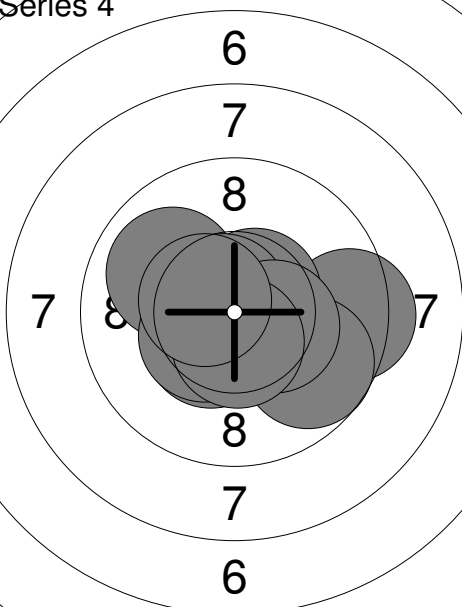
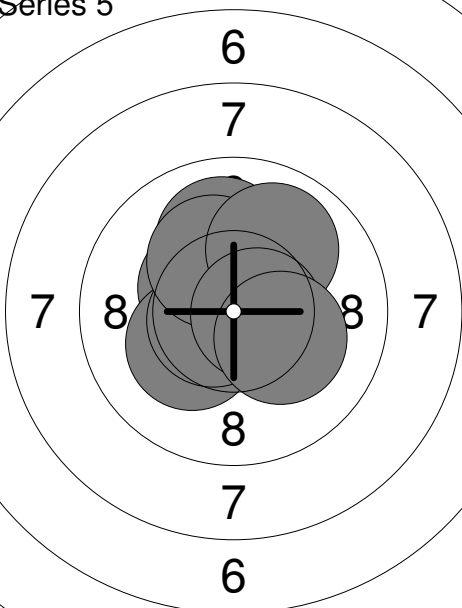
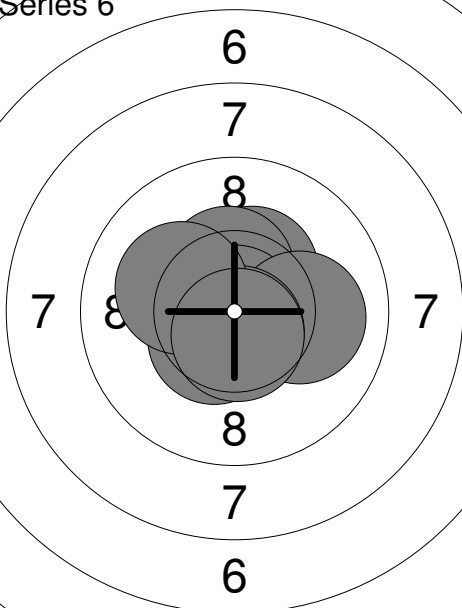
1:	10.4x ↓
2:	10.7x ↓
3:	10.6x ↓
4:	10.4x ➔
5:	10.0 ↑
6:	10.3x ➔
7:	10.7x ↓
8:	10.5x ↗
9:	10.5x ←
10:	10.4x ➔
Series	104.5
	517.7



1:	10.4x ↙
2:	10.0 ↑
3:	10.8x ↘
4:	10.5x ➔
5:	10.0 ↗
6:	10.4x ↙
7:	10.4x ↙
8:	10.4x ↑
9:	9.8 ➔
10:	9.9 ↑
Series	102.6
	620.3

Relay	Lane	Joni Stenström		
1 Air		RS	ARM	
17.11.2019		Kankaanpaaopen 17.11	Kankaanpään ampumaurheilijat	
Series 1		1: 10.4x ← 2: 10.0 → 3: 9.4 → 4: 10.3x ↓ 5: 10.6x ↓ 6: 10.5x → 7: 10.2x ↓ 8: 10.1 ← 9: 10.6x ↓ 10: 9.8 ↓ Series 101.9 101.9	Series 2 	1: 10.6x ↗ 2: 10.4x ↗ 3: 9.9 ← 4: 10.4x ↓ 5: 10.7x ← 6: 10.4x ↗ 7: 10.3x ← 8: 10.7x ← 9: 10.3x ↙ 10: 10.5x ↑ Series 104.2 206.1
Series 3		1: 10.2x ↗ 2: 10.2x ← 3: 10.9x ↓ 4: 10.0 → 5: 10.2x ↖ 6: 9.4 ← 7: 10.4x ↓ 8: 10.6x ↓ 9: 9.8 ↓ 10: 10.4x ← Series 102.1 308.2	Series 4 	1: 10.6x → 2: 10.7x ↑ 3: 10.4x → 4: 9.9 → 5: 10.3x ↖ 6: 9.6 ← 7: 10.1 ↗ 8: 10.4x ↑ 9: 10.4x ← 10: 10.6x ↓ Series 103.0 411.2
Series 5		1: 10.4x ← 2: 10.3x → 3: 10.2x ← 4: 9.9 ↗ 5: 10.7x ↑ 6: 10.8x ↗ 7: 10.8x ← 8: 10.4x ↑ 9: 9.8 ↗ 10: 10.5x ← Series 103.8 515.0	Series 6 	1: 10.1 → 2: 9.5 ← 3: 10.4x ← 4: 10.6x ← 5: 10.8x → 6: 10.8x ← 7: 10.5x → 8: 10.5x ↙ 9: 9.7 ← 10: 10.8x ← Series 103.7 618.7

Relay	Lane	Albin Johansson	
1 Air	22	SWE	ARM
17.11.2019	Kankaanpaaopen 17.11	Kankaanpään ampumaurheilijat	
Series 1		1: 9.6 ↘ 2: 10.2x ↙ 3: 10.6x ↑ 4: 9.9 → 5: 10.0 ↑ 6: 10.2x ↙ 7: 10.4x ↗ 8: 10.7x ↙ 9: 10.6x ↓ 10: 10.7x ↓	Series 2
	Series 102.9		1: 10.7x ↘ 2: 9.6 ↑ 3: 10.1 ↗ 4: 10.7x ↙ 5: 10.8x ↑ 6: 9.9 ↗ 7: 10.0 ↓ 8: 9.6 ↓ 9: 10.1 → 10: 10.5x ↗
	102.9		Series 102.0
			204.9
Series 3		1: 10.1 ↗ 2: 10.2x → 3: 10.7x ↓ 4: 10.6x ↙ 5: 10.1 ↓ 6: 9.7 → 7: 10.1 ↓ 8: 10.9x ↙ 9: 10.4x ↓ 10: 10.8x ↘	Series 4
	Series 103.6		1: 10.8x ↓ 2: 10.1 ↙ 3: 9.8 ↗ 4: 10.3x → 5: 10.0 ↙ 6: 10.7x → 7: 10.4x ↓ 8: 9.9 ↓ 9: 10.1 ↙ 10: 10.4x ↘
	308.5		Series 102.5
			411.0
Series 5		1: 10.2x ↓ 2: 10.3x ↗ 3: 10.4x ↗ 4: 10.6x → 5: 10.2x ↓ 6: 10.2x → 7: 10.6x ↗ 8: 9.9 ↗ 9: 10.8x ↓ 10: 10.0 ↗	Series 6
	Series 103.2		1: 10.6x ↓ 2: 10.6x ↑ 3: 10.8x → 4: 10.4x ↓ 5: 10.3x ↑ 6: 9.7 → 7: 10.7x → 8: 10.7x ↓ 9: 10.0 ↙ 10: 10.0 ↗
	514.2		Series 103.8
			618.0

Relay	Lane	Name	
1	23	Juho Kurki	
1 Air		KaA	ARM
17.11.2019		Kankaanpaaopen 17.11	Kankaanpään ampumaurheilijat
Series 1		1: 10.4x ↖ 2: 10.7x ↘ 3: 10.1 ↓ 4: 10.6x ← 5: 10.3x → 6: 10.0 ↗ 7: 10.5x ← 8: 10.6x ← 9: 10.2x ↘ 10: 10.6x ↗	Series 2
			
		Series 104.0	Series 104.5
		104.0	208.5
Series 3		1: 10.6x ↘ 2: 10.6x ↘ 3: 10.2x ↘ 4: 10.6x ↖ 5: 10.5x ↗ 6: 10.2x ↗ 7: 10.1 ↗ 8: 10.7x ↖ 9: 10.5x ↗ 10: 10.0 ↗	Series 4
			
		Series 104.0	Series 102.6
		312.5	415.1
Series 5		1: 10.4x ↖ 2: 10.7x → 3: 10.0 ↑ 4: 10.2x ↙ 5: 10.7x ↗ 6: 10.6x ← 7: 10.2x ↗ 8: 10.0 ↗ 9: 10.6x → 10: 10.2x ↘	Series 6
			
		Series 103.6	Series 104.9
		518.7	623.6

Relay	Lane	Jere-Juhani Salo			
1 Air		NoSA	ARM		
17.11.2019		Kankaanpaaopen 17.11	Kankaanpään ampumaurheilijat		
Series 1		1: 10.5x ↖ 2: 10.8x ↙ 3: 9.8 ← 4: 9.7 ← 5: 10.6x ← 6: 9.4 ← 7: 10.0 ← 8: 9.6 ← 9: 10.5x ↙ 10: 10.6x →	Series 2		1: 10.1 ↖ 2: 10.4x ↗ 3: 9.9 → 4: 10.4x ← 5: 10.3x → 6: 10.5x ↑ 7: 10.7x → 8: 10.7x ↑ 9: 10.1 ↘ 10: 10.6x ↗
		Series 101.5		Series 103.7	
		101.5		205.2	
Series 3		1: 10.5x → 2: 10.7x → 3: 10.5x ↘ 4: 10.3x ← 5: 10.4x ↖ 6: 9.9 → 7: 9.5 ↘ 8: 10.5x ↗ 9: 9.8 ← 10: 10.4x ↘	Series 4		1: 9.6 → 2: 10.6x ↑ 3: 10.3x → 4: 10.5x ↖ 5: 10.6x ↗ 6: 10.9x ← 7: 10.1 ← 8: 10.2x ↘ 9: 9.7 ↗ 10: 10.2x ↖
		Series 102.5		Series 102.7	
		307.7		410.4	
Series 5		1: 10.8x ↙ 2: 10.5x ← 3: 10.5x ↑ 4: 9.8 ← 5: 10.6x ↖ 6: 10.7x ↗ 7: 10.1 → 8: 9.9 ← 9: 10.0 ↗ 10: 9.6 ←	Series 6		1: 10.0 → 2: 10.3x ← 3: 10.7x ↑ 4: 8.8 → 5: 9.8 → 6: 10.4x ↘ 7: 10.1 ← 8: 10.4x ← 9: 10.1 ↓ 10: 10.3x ↖
		Series 102.5		Series 100.9	
		512.9		613.8	

Relay	Lane	Jimi Lång		
1 Air	25	KaA	ARM	
17.11.2019	Kankaanpaaopen 17.11	Kankaanpään ampumaurheilijat		
Series 1		1: 10.3x ↗ 2: 10.7x ↓ 3: 10.6x ↖ 4: 9.6 ← 5: 9.9 → 6: 9.6 ↗ 7: 9.0 ← 8: 9.9 ← 9: 9.8 → 10: 10.4x ↗ Series 99.8 99.8	Series 2 	1: 9.9 → 2: 9.9 ↑ 3: 9.7 ← 4: 9.8 ↑ 5: 10.5x ↖ 6: 10.3x ↓ 7: 10.5x ↖ 8: 10.6x ↓ 9: 10.8x ↘ 10: 10.7x ↘ Series 102.7 202.5
Series 3		1: 9.9 ← 2: 10.3x ↗ 3: 10.0 ↑ 4: 9.5 ← 5: 9.8 ↑ 6: 10.4x ↘ 7: 10.3x → 8: 8.7 ↗ 9: 10.4x ← 10: 9.4 ↓ Series 98.7 301.2	Series 4 	1: 10.0 ↑ 2: 10.1 ↑ 3: 10.5x ↘ 4: 10.9x 5: 10.3x ↖ 6: 8.8 ↑ 7: 10.3x ← 8: 9.5 ↓ 9: 9.6 ↗ 10: 9.6 ↑ Series 99.6 400.8
Series 5		1: 9.5 ↓ 2: 10.6x ↑ 3: 10.4x ↘ 4: 9.8 ↗ 5: 10.7x ↖ 6: 10.3x → 7: 10.8x ↓ 8: 10.7x ↓ 9: 10.3x ↖ 10: 9.3 → Series 102.4 503.2	Series 6 	1: 9.8 ← 2: 10.6x → 3: 10.7x ↗ 4: 10.1 → 5: 9.5 ↓ 6: 10.2x ↖ 7: 10.3x ← 8: 10.1 ↗ 9: 10.5x ↘ 10: 9.5 ↖ Series 101.3 604.5