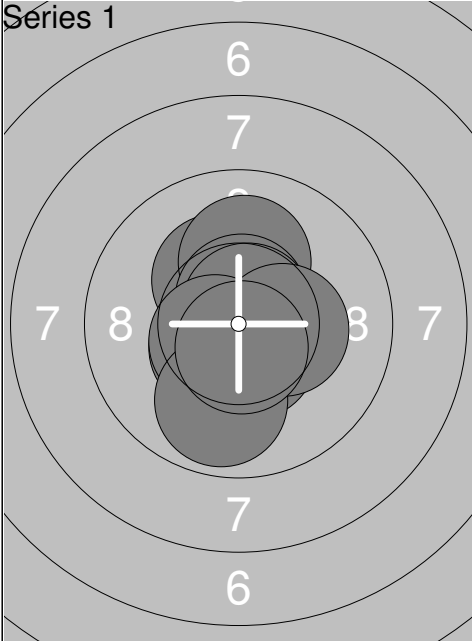
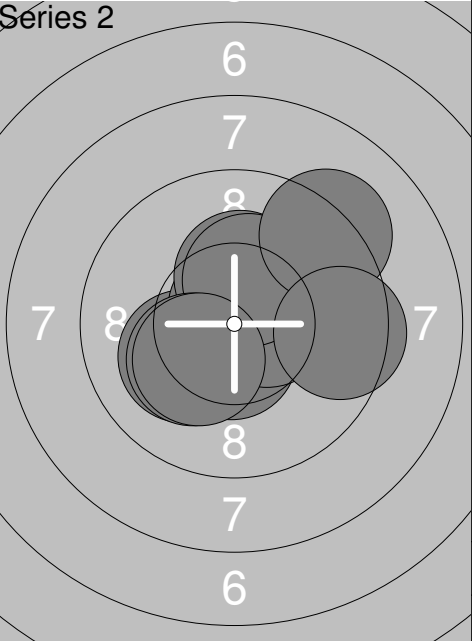
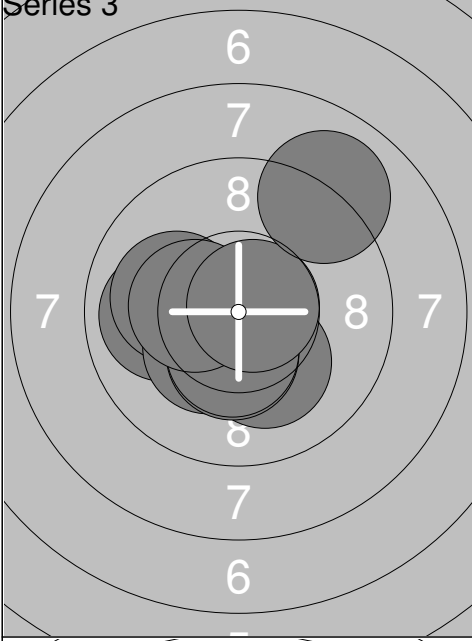
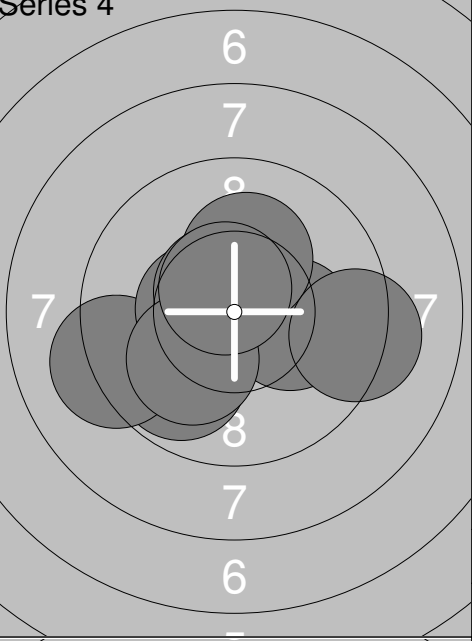
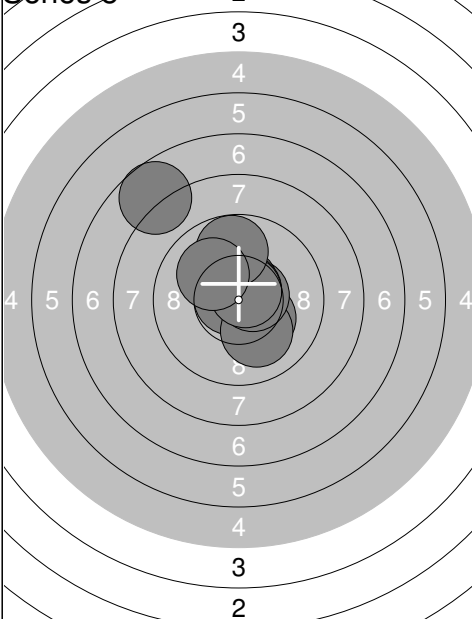
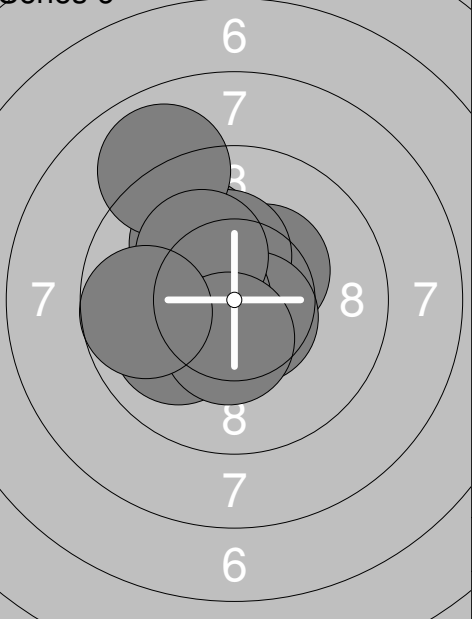
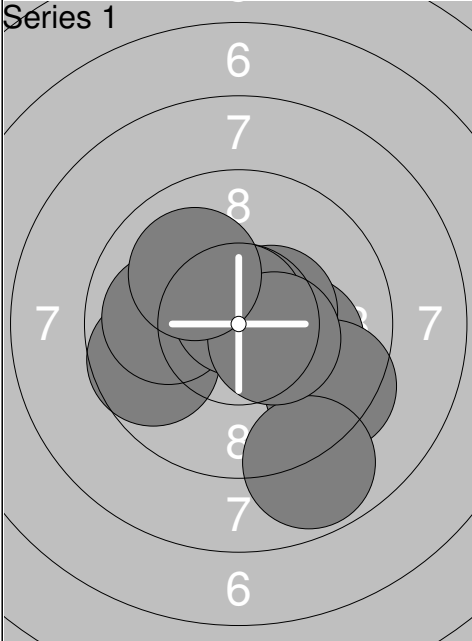
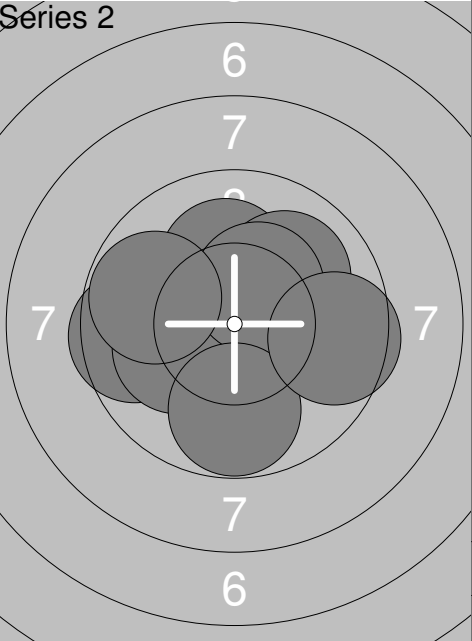
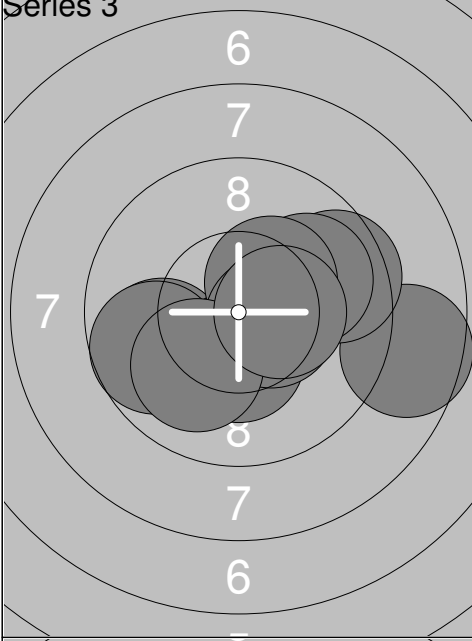
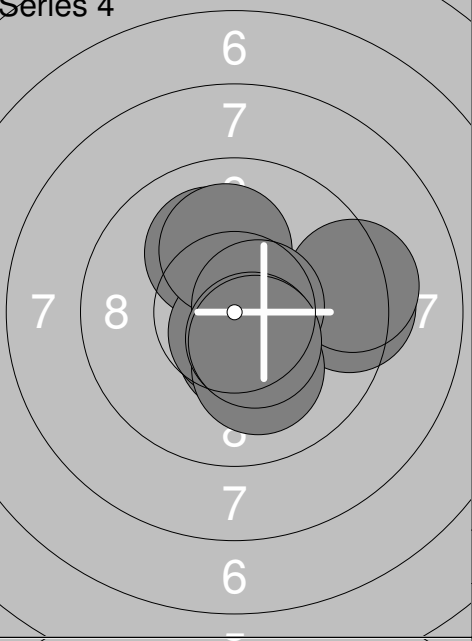
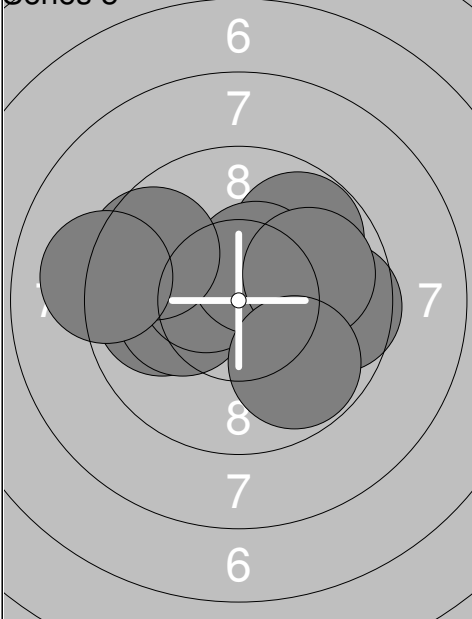
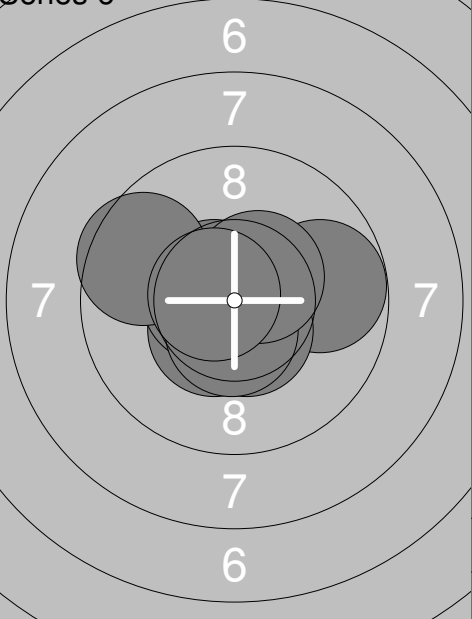
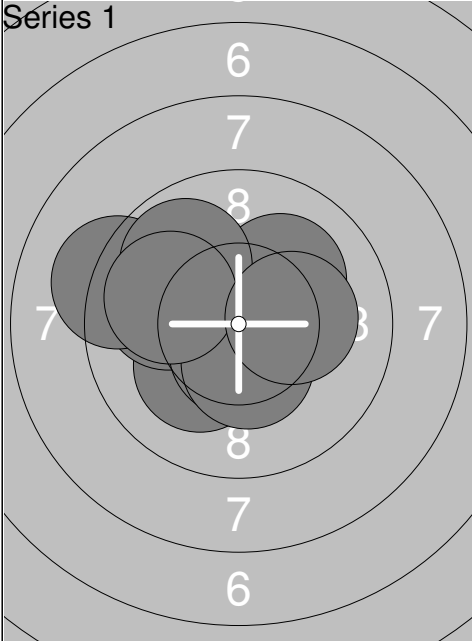
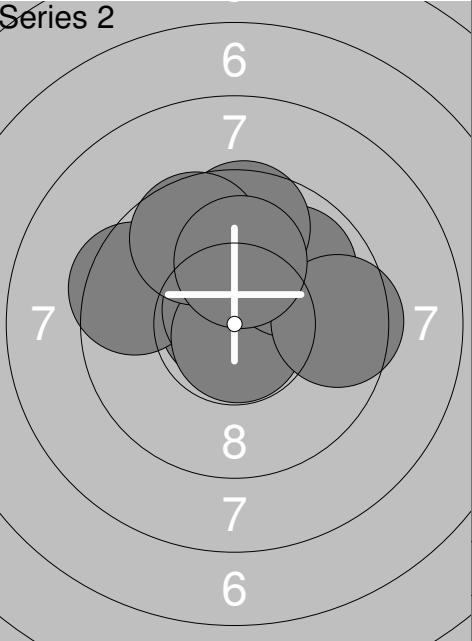
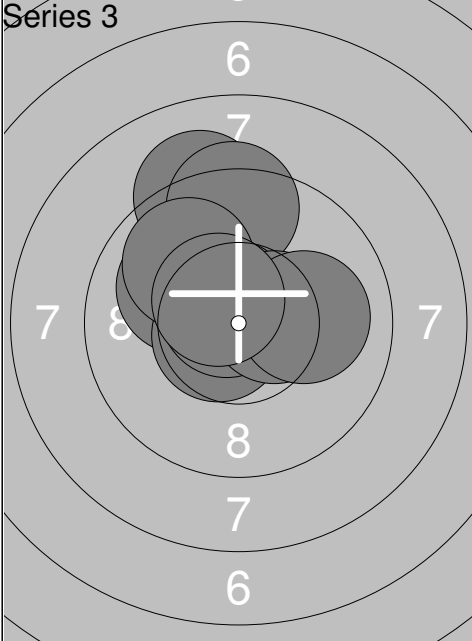
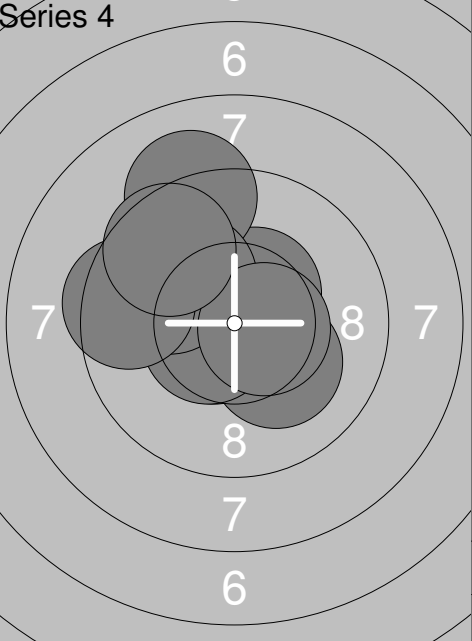
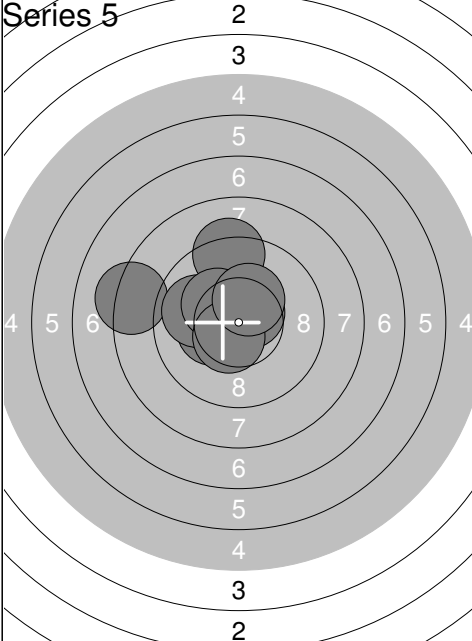
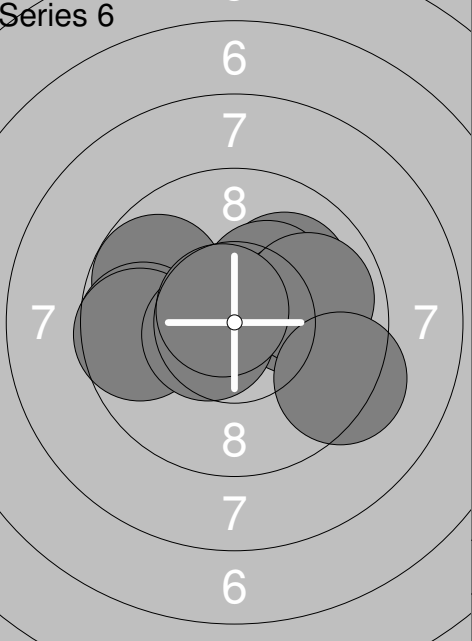
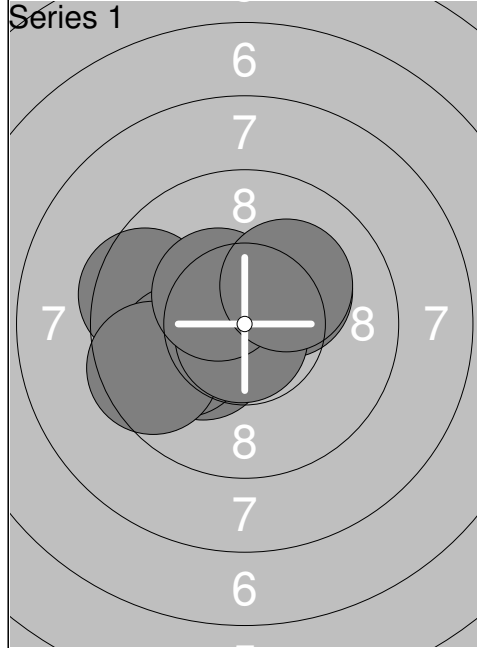


Relay	Lane	Maarit Nurmi		
1 Air		MeSA	ARJW	
16.11.2019		Kankaanpaaopen 16.11	Kankaanpään ampumaurheilijat	
Series 1 	1: 10.3x ↗	Series 2 	1: 10.5x ↓	
	2: 10.1 ↑		2: 10.1 ↙	
	3: 10.5x ↙		3: 10.7x ↑	
	4: 10.6x ↑		4: 10.3x ↑	
	5: 10.7x ↗		5: 10.5x →	
	6: 10.5x ↓		6: 10.3x ↑	
	7: 10.5x ↙		7: 9.2 ↗	
	8: 9.9 ↓		8: 9.5 →	
	9: 10.3x →		9: 10.2x ↙	
	10: 10.6x ↓		10: 10.3x ↙	
	Series 104.0		Series 101.6	
	104.0		205.6	
Series 3 	1: 9.9 ←	Series 4 	1: 10.8x ↙	
	2: 10.4x ↓		2: 10.1 →	
	3: 10.1 ←		3: 9.8 ↙	
	4: 10.3x ↙		4: 9.2 ←	
	5: 10.2x ↓		5: 10.2x ↑	
	6: 10.3x ↓		6: 10.5x ↙	
	7: 10.4x ↓		7: 10.6x ↗	
	8: 10.3x ↙		8: 10.1 ↙	
	9: 10.7x →		9: 10.6x ↑	
	10: 9.0 ↗		10: 9.3 →	
	Series 101.6		Series 101.2	
	307.2		408.4	
Series 5 	1: 10.3x ↘	Series 6 	1: 10.3x ↗	
	2: 10.7x ↙		2: 10.0 ↗	
	3: 10.1 ↓		3: 10.3x ↑	
	4: 10.5x →		4: 10.6x ↘	
	5: 10.5x ↑		5: 8.9 ↗	
	6: 7.7 ↗		6: 10.5x ↙	
	7: 10.7x ↗		7: 10.2x ↗	
	8: 10.7x ↗		8: 10.0 ↙	
	9: 9.7 ↑		9: 10.4x ↓	
	10: 10.0 ↗		10: 9.7 ←	
	Series 100.9		Series 100.9	
	509.3		610.2	

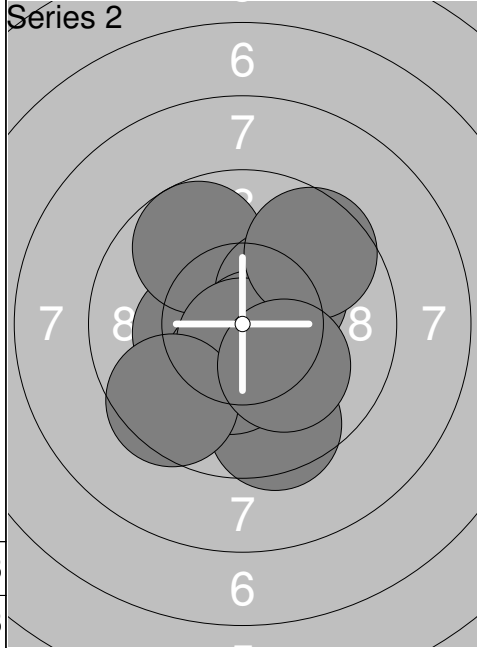
Relay	Lane	Neea Vuorela			
1 Air		NoSA	ARJW		
16.11.2019		Kankaanpaaopen 16.11	Kankaanpään ampumaurheilijat		
Series 1		1: 10.1 →	Series 2		1: 9.6 ←
		2: 10.5x →			2: 10.2x →
		3: 9.7 ←			3: 10.1 →
		4: 10.0 ←			4: 10.1 ←
		5: 10.4x →			5: 10.1 ↑
		6: 10.7x ↑			6: 10.0 ↗
		7: 9.4 ↘			7: 10.4x ↗
		8: 8.8 ↓			8: 9.8 ↓
		9: 10.4x →			9: 9.6 →
		10: 10.0 ↖			10: 9.8 ←
		Series 100.0			Series 99.7
		100.0			199.7
Series 3		1: 9.8 ←	Series 4		1: 10.4x ↓
		2: 10.3x ↓			2: 9.4 →
		3: 8.6 →			3: 10.1 ↑
		4: 9.5 →			4: 10.6x ↓
		5: 9.9 →			5: 9.3 →
		6: 9.7 ←			6: 10.1 ↑
		7: 10.3x ↗			7: 10.1 ↓
		8: 10.5x →			8: 10.6x →
		9: 10.0 ↓			9: 10.5x ↓
		10: 10.4x →			10: 10.4x ↓
		Series 99.0			Series 101.5
		298.7			400.2
Series 5		1: 9.9 ←	Series 6		1: 10.4x ↙
		2: 9.8 ↗			2: 10.8x ↓
		3: 9.6 →			3: 10.6x ←
		4: 10.2x ←			4: 10.6x ↖
		5: 10.5x ↖			5: 9.8 →
		6: 10.4x ↗			6: 10.5x ↓
		7: 9.6 ←			7: 9.6 ←
		8: 9.9 →			8: 10.5x ↓
		9: 9.8 ↓			9: 10.5x ↗
		10: 9.1 ←			10: 10.6x ←
		Series 98.8			Series 103.9
		499.0			602.9

Relay	Lane	Salla Korpela		
2	6	TSA	ARJW	
16.11.2019	Kankaanpaaopen 16.11	Kankaanpään ampumaurheilijat		
Series 1 	1: 10.3x →	Series 2 	1: 9.4 ↓	
	2: 10.3x ↙		2: 10.7x ↘	
	3: 9.7 →		3: 10.1 ↓	
	4: 10.3x ↙		4: 9.8 ↓	
	5: 10.3x ↗		5: 10.2x →	
	6: 10.8x ↘		6: 9.8 ←	
	7: 10.1 ↓		7: 10.2x ↓	
	8: 9.6 ←		8: 10.6x ↘	
	9: 10.8x →		9: 9.7 ↗	
	10: 9.0 ↘		10: 9.8 →	
	Series 101.2		Series 100.3	
	101.2		201.5	
Series 3 	1: 9.2 →	Series 4 	1: 10.2x ↓	
	2: 10.0 ←		2: 10.4x ↗	
	3: 9.9 ←		3: 10.1 ↗	
	4: 10.2x ←		4: 10.0 →	
	5: 9.2 →		5: 10.7x ↘	
	6: 10.0 →		6: 9.7 →	
	7: 8.9 ↗		7: 10.4x ←	
	8: 10.2x ↗		8: 10.1 ↗	
	9: 10.0 ↘		9: 9.6 →	
	10: 10.2x ↗		10: 9.9 ↗	
	Series 97.8		Series 101.1	
	299.3		400.4	
Series 5 	1: 9.5 ←	Series 6 	1: 10.4x ↙	
	2: 9.9 →		2: 10.7x ↗	
	3: 10.2x →		3: 10.0 ↗	
	4: 10.2x ↓		4: 10.7x ←	
	5: 10.4x ↓		5: 9.3 ←	
	6: 9.2 →		6: 9.8 ↗	
	7: 10.5x ↗		7: 10.7x ↗	
	8: 9.7 ↓		8: 9.2 →	
	9: 9.8 ↙		9: 10.7x →	
	10: 10.3x ↗		10: 10.5x ↙	
	Series 99.7		Series 102.0	
	500.1		602.1	

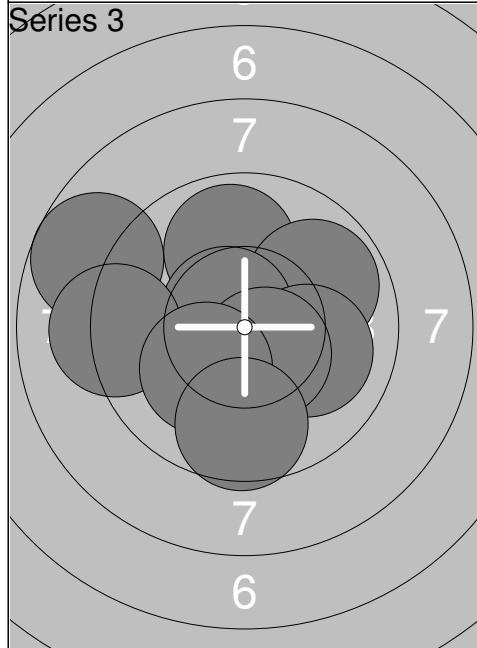
Relay	Lane	Annika Karlsson			
2	7	K-64	ARJW		
16.11.2019	Kankaanpaaopen 16.11	Kankaanpään ampumaurheilijat			
Series 1		1: 10.2x ↙ 2: 9.9 ← 3: 10.6x ↑ 4: 10.6x ↓ 5: 10.4x ↓ 6: 10.1 ↗ 7: 9.2 ← 8: 9.9 ↖ 9: 10.0 ← 10: 10.2x →	Series 2		1: 10.8x ↖ 2: 9.5 ← 3: 10.2x ↑ 4: 10.7x ↖ 5: 10.8x ↓ 6: 9.9 ↗ 7: 9.5 → 8: 9.6 ↑ 9: 9.6 ↖ 10: 10.1 ↑
	Series 101.1		Series 100.7		
	101.1		201.8		
Series 3		1: 9.2 ↑ 2: 9.4 ↑ 3: 10.0 ← 4: 10.7x ↖ 5: 10.6x ↙ 6: 10.7x ↖ 7: 10.4x → 8: 10.0 → 9: 9.9 ↖ 10: 10.5x ↖	Series 4		1: 10.6x ↙ 2: 10.4x ↗ 3: 9.1 ↑ 4: 10.2x ↘ 5: 10.5x ↙ 6: 10.1 ↖ 7: 9.9 ↖ 8: 9.5 ← 9: 10.5x → 10: 9.6 ↖
	Series 101.4		Series 100.4		
	303.2		403.6		
Series 5		1: 9.2 ↑ 2: 10.3x ← 3: 8.2 ← 4: 9.9 ← 5: 10.6x ↖ 6: 10.5x ↑ 7: 10.6x ↗ 8: 10.2x ↖ 9: 10.5x ↓ 10: 10.3x ↑	Series 6		1: 9.7 ↖ 2: 9.7 ← 3: 10.0 ↗ 4: 9.6 ← 5: 10.3x ↗ 6: 10.1 → 7: 9.9 → 8: 10.5x ↙ 9: 10.7x ↖ 10: 9.3 ↘
	Series 100.3		Series 99.8		
	503.9		603.7		



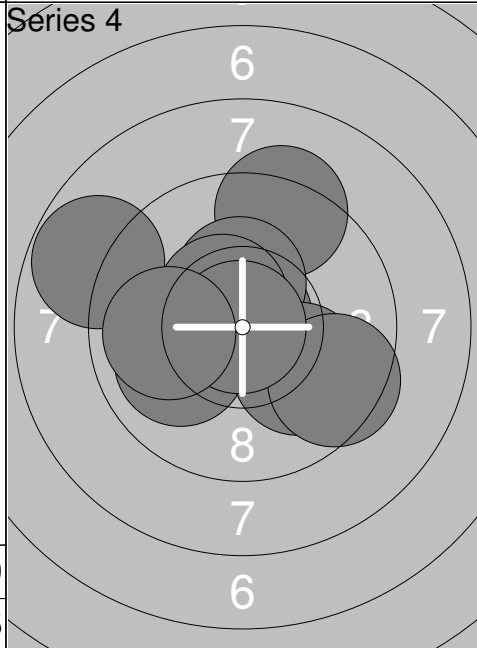
1:	10.3x	←
2:	9.5	←
3:	10.2x	↙
4:	10.8x	←
5:	10.2x	↗
6:	10.0	←
7:	9.5	←
8:	10.7x	↓
9:	10.4x	↖
10:	10.2x	↗
Series	101.8	
	101.8	



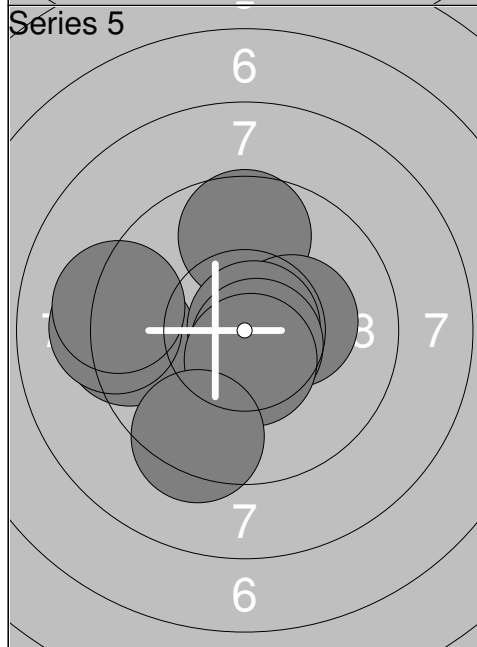
1:	10.3x	←
2:	9.7	↗
3:	9.5	↓
4:	10.3x	↓
5:	10.3x	↗
6:	10.7x	↘
7:	10.7x	↓
8:	9.5	↙
9:	9.6	↗
10:	10.1	↘
Series	100.7	
	202.5	



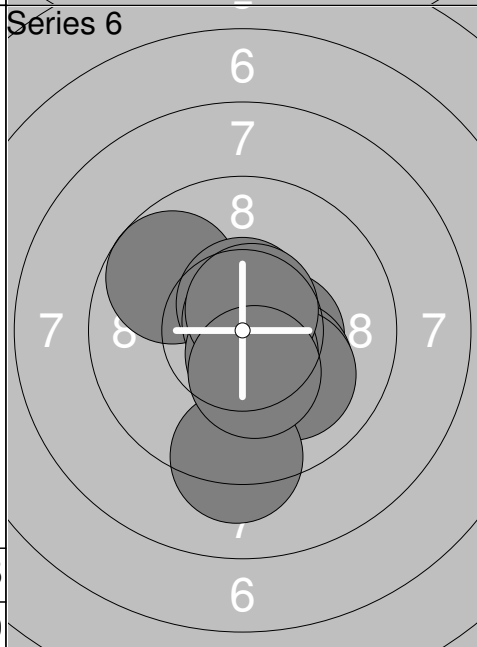
1:	8.7	←
2:	9.9	↑
3:	10.4x	↙
4:	9.9	↗
5:	10.6x	↖
6:	10.0	→
7:	9.2	←
8:	10.5x	↓
9:	10.2x	↙
10:	9.6	↓
Series	99.0	
	301.5	



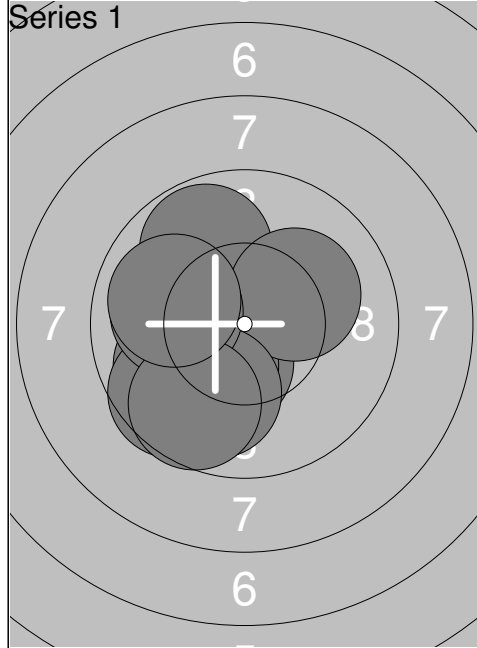
1:	9.3	↑
2:	10.0	←
3:	10.8x	↑
4:	10.3x	↑
5:	10.0	↘
6:	9.5	↘
7:	8.8	↖
8:	10.4x	↖
9:	10.9x	←
10:	9.9	←
Series	99.9	
	401.4	



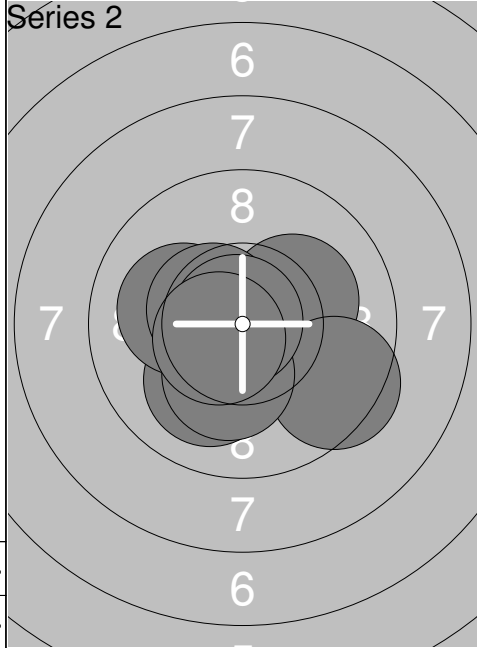
1:	10.4x	↓
2:	9.7	↑
3:	10.3x	→
4:	9.4	←
5:	10.8x	→
6:	9.2	←
7:	10.7x	↓
8:	9.2	←
9:	10.5x	↓
10:	9.3	↓
Series	99.5	
	500.9	



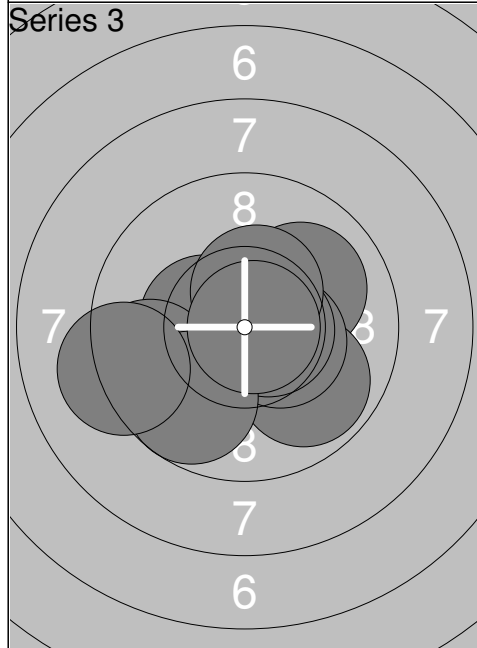
1:	9.7	↖
2:	10.6x	↑
3:	10.8x	↗
4:	10.4x	→
5:	10.1	↘
6:	10.1	↘
7:	10.6x	↓
8:	9.2	↓
9:	10.6x	↗
10:	10.4x	↓
Series	102.5	
	603.4	



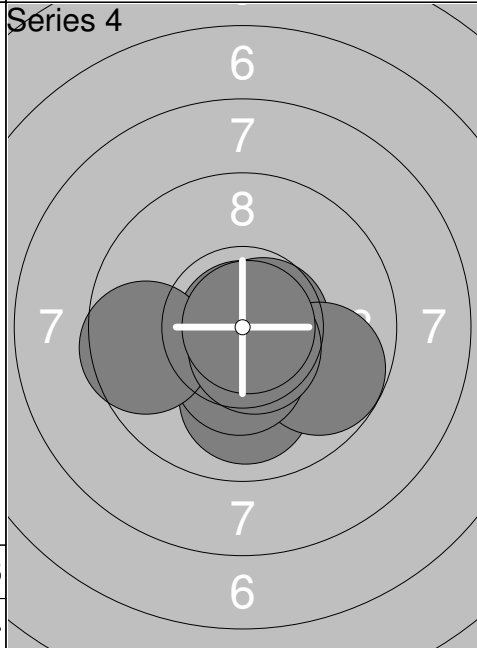
1:	9.9	↙
2:	9.8	↗
3:	10.4x	↓
4:	9.6	↙
5:	10.2x	↘
6:	10.1	↗
7:	9.9	↓
8:	10.0	←
9:	9.6	↘
10:	9.9	←
Series	99.4	
	99.4	



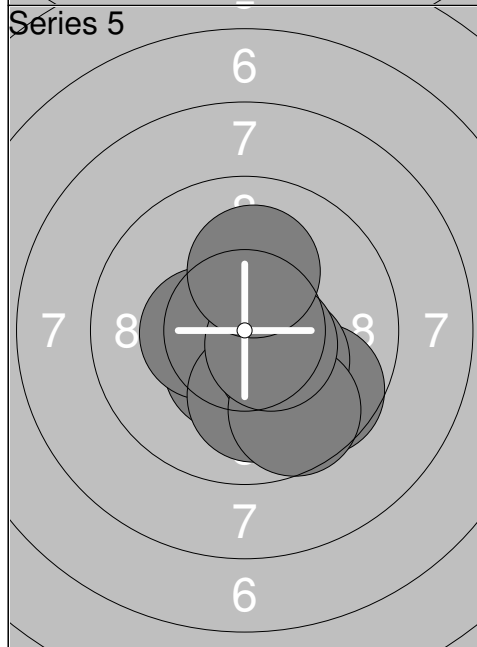
1:	10.8x	→
2:	10.0	↓
3:	10.5x	↓
4:	10.1	←
5:	10.2x	→
6:	9.5	↘
7:	10.5x	↖
8:	10.2x	↓
9:	10.8x	↖
10:	10.6x	↖
Series	103.2	
	202.6	



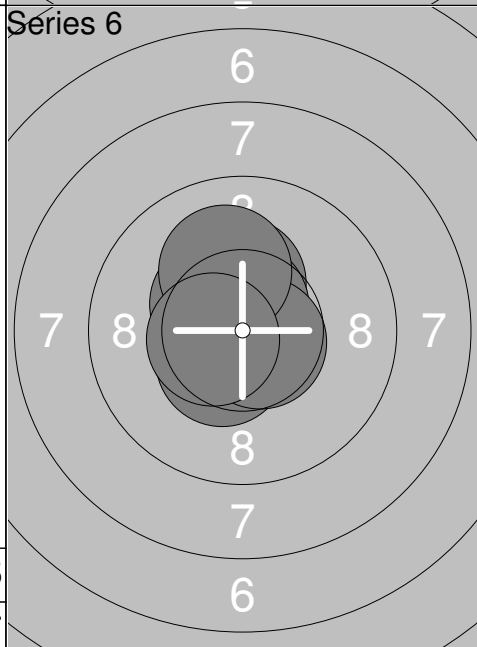
1:	10.4x	←
2:	10.0	↗
3:	9.5	←
4:	9.8	↘
5:	10.4x	→
6:	10.6x	→
7:	9.7	↘
8:	9.2	←
9:	10.4x	↑
10:	10.8x	→
Series	100.8	
	303.4	



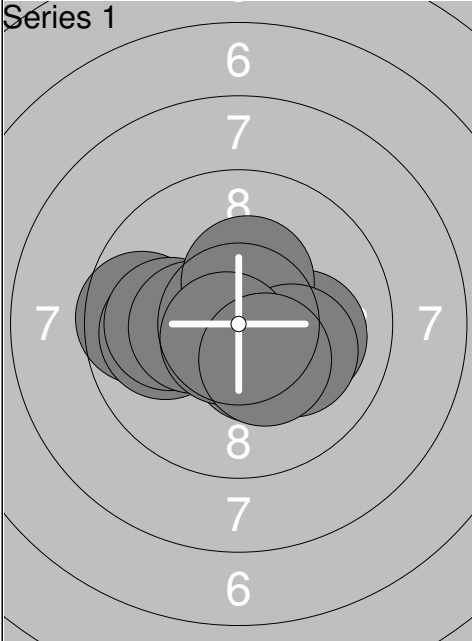
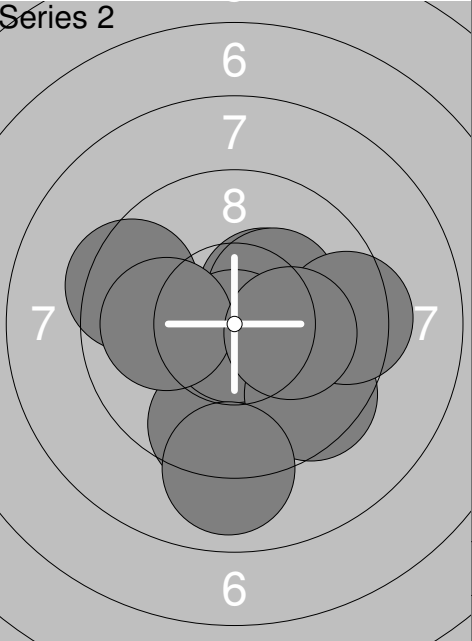
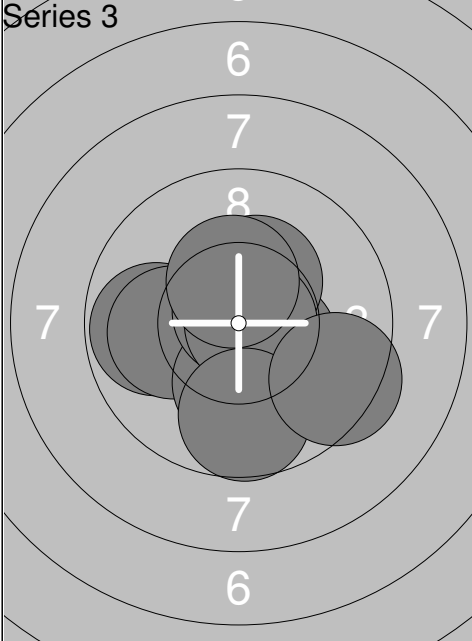
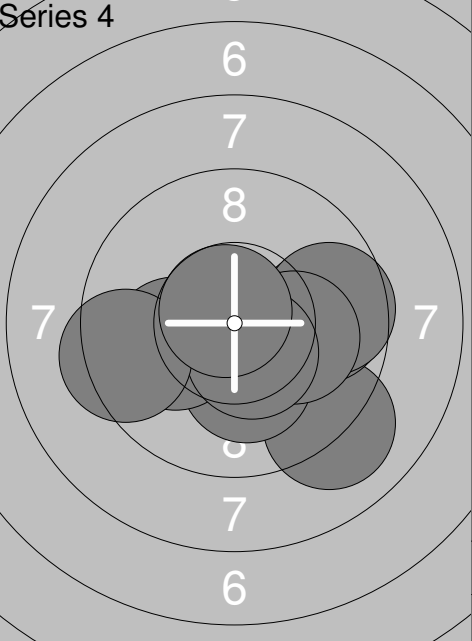
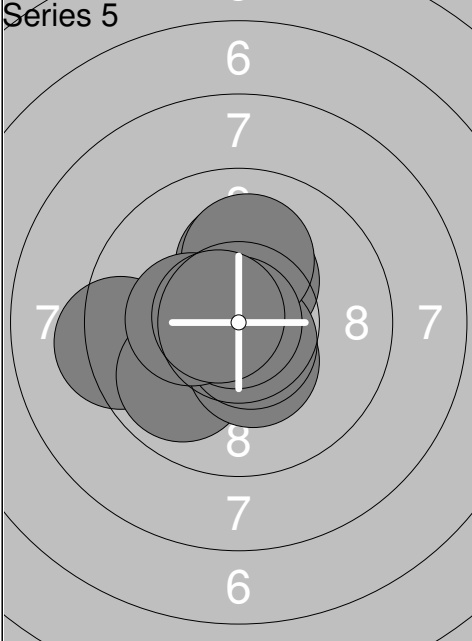
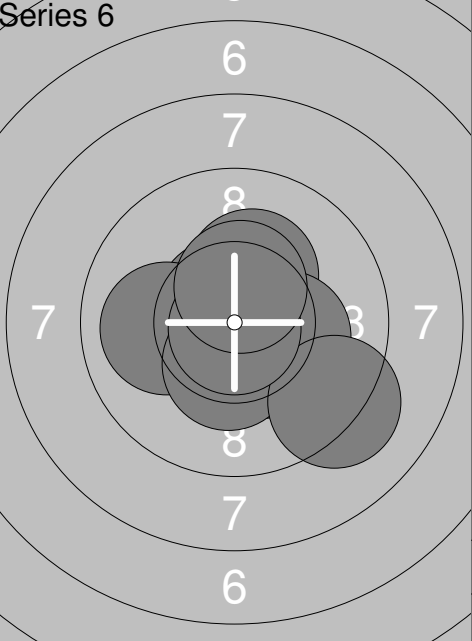
1:	10.7x	→
2:	10.5x	↓
3:	10.0	↓
4:	9.7	↘
5:	10.5x	↓
6:	10.4x	↓
7:	10.9x	
8:	9.6	←
9:	10.6x	↓
10:	10.9x	→
Series	103.8	
	407.2	

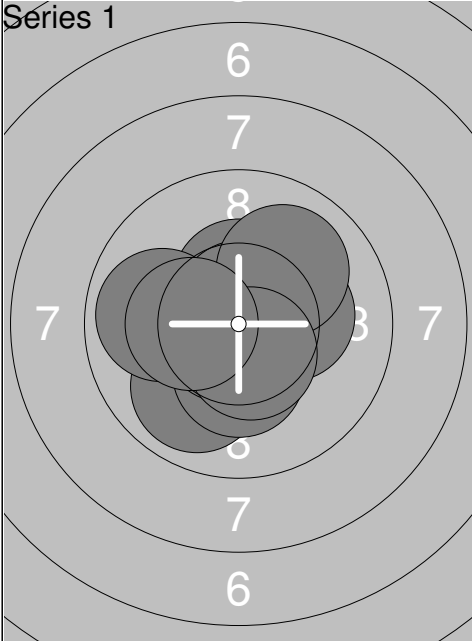
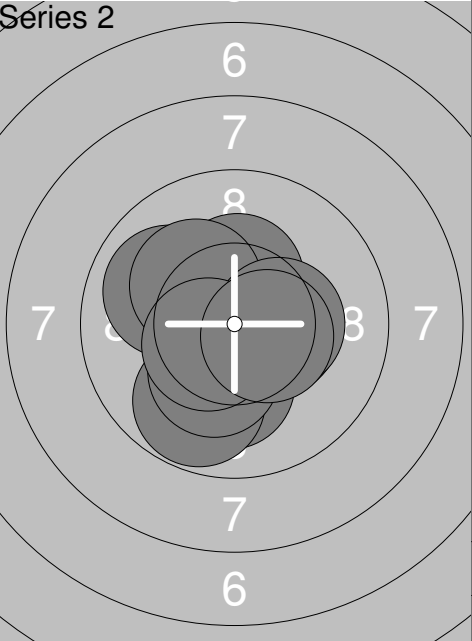
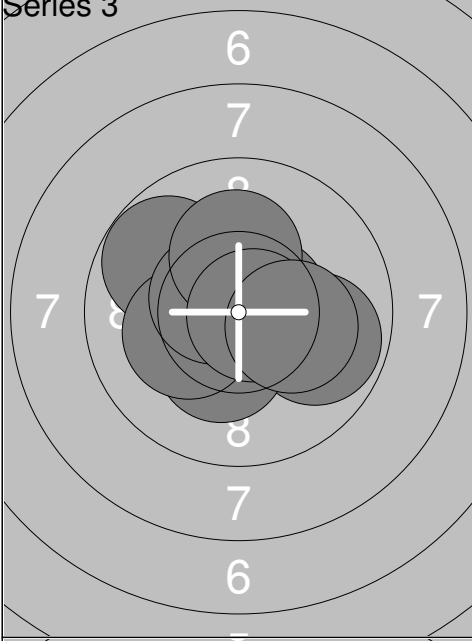
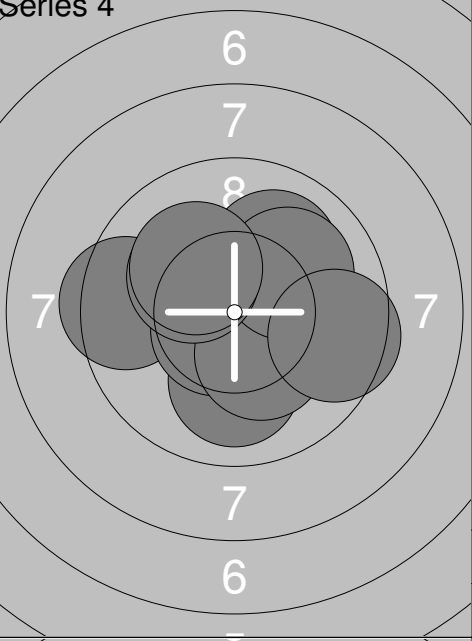
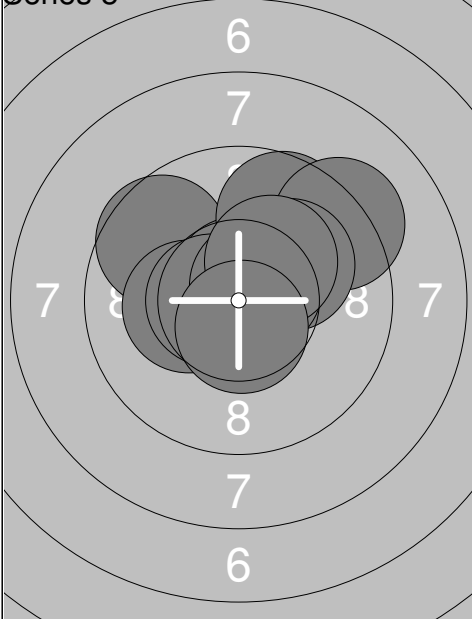
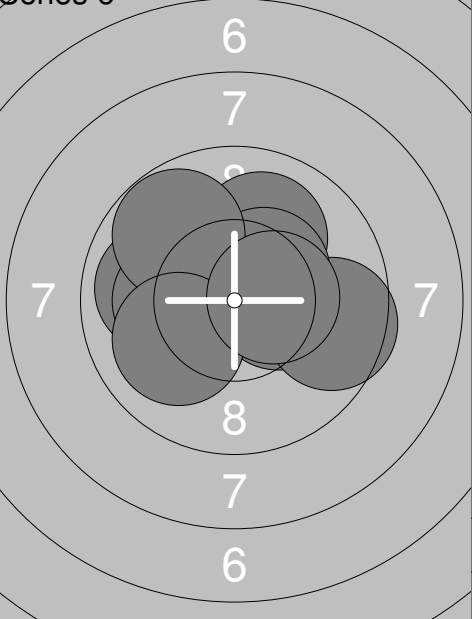


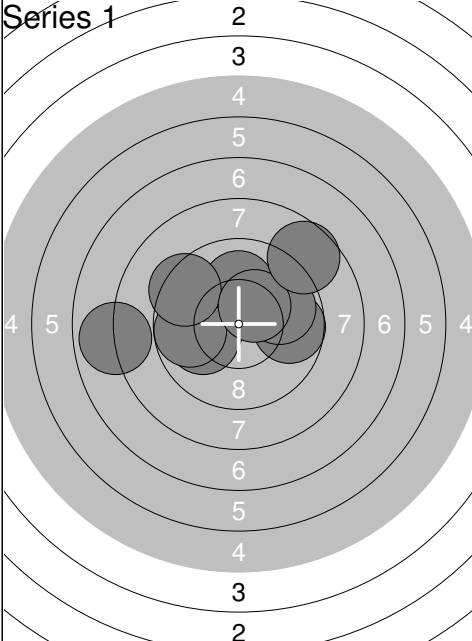
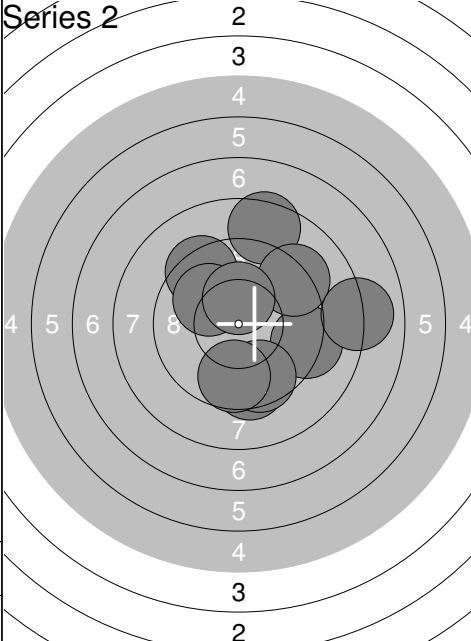
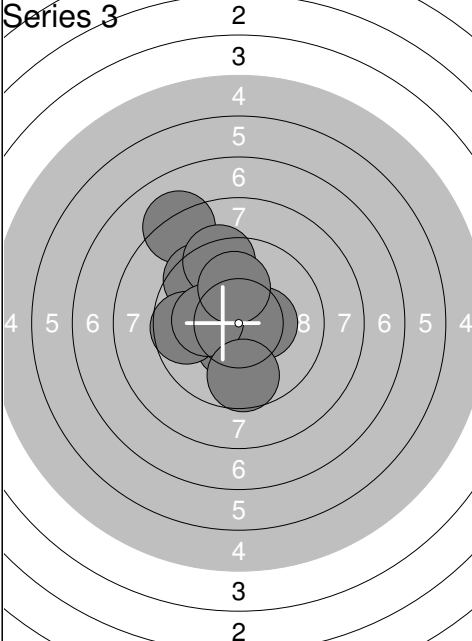
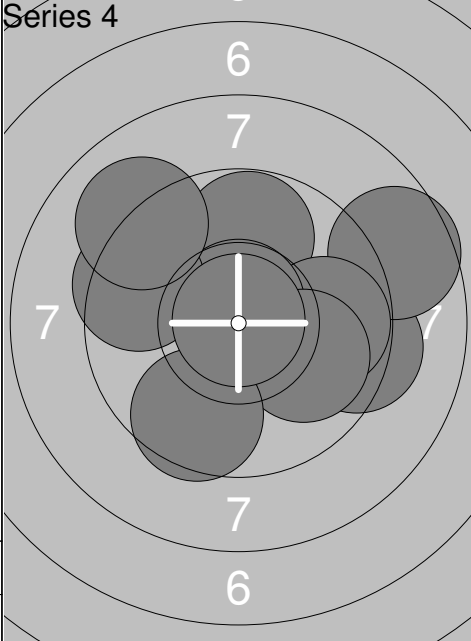
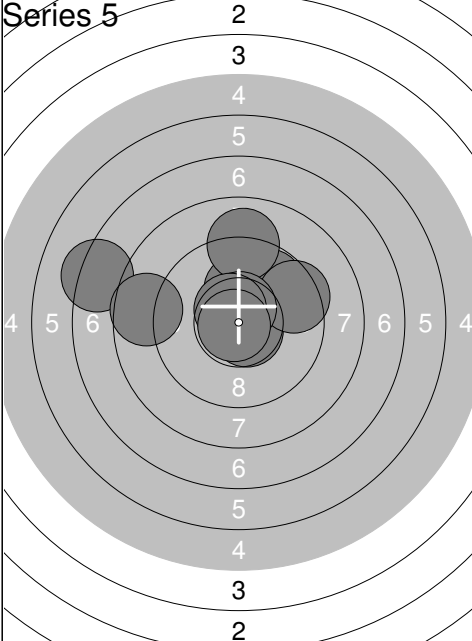
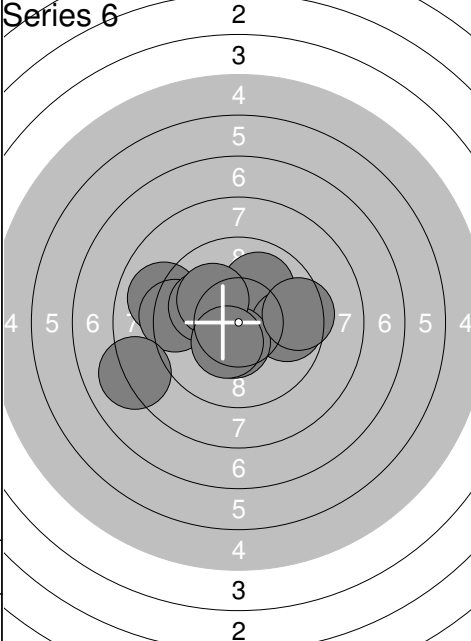
1:	10.9x	↗
2:	9.6	↘
3:	10.4x	↓
4:	10.6x	↓
5:	10.4x	←
6:	10.1	↓
7:	10.3x	↘
8:	9.6	↘
9:	10.5x	↘
10:	10.1	↑
Series	102.5	
	509.7	

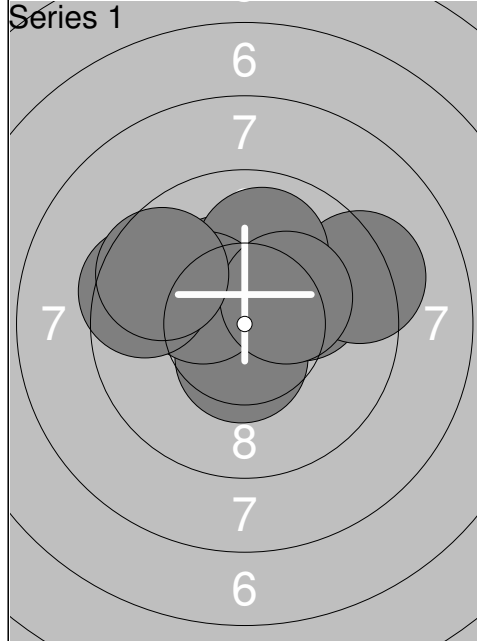


1:	10.6x	↓
2:	10.5x	←
3:	10.4x	↓
4:	10.8x	←
5:	10.3x	↑
6:	10.4x	↖
7:	10.6x	↑
8:	10.6x	↘
9:	10.1	↑
10:	10.5x	←
Series	104.8	
	614.5	

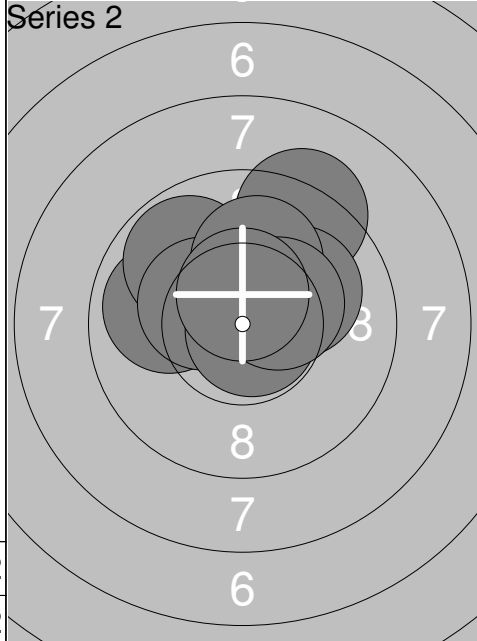
Relay	Lane	Minea Terkola	
1 Air		SaSA	ARJW
16.11.2019		Kankaanpaaopen 16.11	Kankaanpään ampumaurheilijat
Series 1		1: 9.6 ← 2: 10.1 → 3: 9.9 ← 4: 10.0 ← 5: 10.3x← 6: 10.4x ↓ 7: 10.4x ↑ 8: 10.1 → 9: 10.6x ↓ 10: 10.3x ↓ Series 101.7 101.7	Series 2  1: 10.4x ↗ 2: 9.4 ← 3: 10.3x ↗ 4: 9.5 ↓ 5: 10.8x ↓ 6: 9.5 ↘ 7: 10.0 ← 8: 9.4 → 9: 10.2x → 10: 9.0 ↓ Series 98.5 200.2
Series 3		1: 9.8 ← 2: 10.0 ← 3: 10.1 ↓ 4: 10.8x ↑ 5: 10.4x ↘ 6: 10.3x ↑ 7: 10.8x → 8: 10.3x ↑ 9: 9.7 ↓ 10: 9.4 → Series 101.6 301.8	Series 4  1: 9.1 ↘ 2: 10.2x ↓ 3: 10.1 ← 4: 9.8 → 5: 9.6 → 6: 10.6x ↘ 7: 10.1 → 8: 10.5x ↓ 9: 9.4 ← 10: 10.7x ↗ Series 100.1 401.9
Series 5		1: 9.3 ← 2: 10.3x ↑ 3: 9.9 ↘ 4: 10.2x ↑ 5: 10.4x ↓ 6: 10.6x ↓ 7: 10.1 ↑ 8: 10.9x← 9: 10.3x← 10: 10.6x← Series 102.6 504.5	Series 6  1: 10.4x ↓ 2: 10.6x ↗ 3: 10.0 ← 4: 10.3x ↑ 5: 10.7x ↓ 6: 10.2x → 7: 10.4x ↓ 8: 9.2 ↘ 9: 10.8x ↓ 10: 10.5x ↑ Series 103.1 607.6

Relay	Lane	Alexandra Rosenlew		
2	12	KaA	ARJW	
1 Air				
16.11.2019		Kankaanpaaopen 16.11	Kankaanpään ampumaurheilijat	
Series 1 	1: 10.4x ↑	Series 2 	1: 9.9 ↖	
	2: 9.9 ↙		2: 10.3x ↑	
	3: 10.7x ↑		3: 10.2x ↖	
	4: 10.3x ↓		4: 10.4x →	
	5: 10.3x →		5: 10.1 ↓	
	6: 10.7x ↙		6: 9.8 ↙	
	7: 9.9 ←		7: 10.2x ↓	
	8: 10.0 ↗		8: 10.3x →	
	9: 10.5x ↓		9: 10.5x ↙	
	10: 10.3x ←		10: 10.5x →	
	Series 103.0		Series 102.2	
	103.0		205.2	
Series 3 	1: 9.8 →	Series 4 	1: 10.0 ↗	
	2: 10.8x ↓		2: 9.5 ←	
	3: 9.8 ↖		3: 10.0 ↓	
	4: 10.3x ↓		4: 10.7x ↘	
	5: 10.2x ←		5: 10.6x ↙	
	6: 10.6x →		6: 10.3x ↓	
	7: 10.6x ↖		7: 10.0 ↗	
	8: 10.2x ↑		8: 10.2x ↖	
	9: 10.7x →		9: 10.1 ↖	
	10: 10.2x →		10: 9.5 →	
	Series 103.2		Series 100.9	
	308.4		409.3	
Series 5 	1: 9.6 ↖	Series 6 	1: 10.0 ↗	
	2: 10.7x ↑		2: 10.3x →	
	3: 9.7 ↗		3: 9.6 →	
	4: 9.2 ↗		4: 9.9 ←	
	5: 10.1 ↗		5: 10.4x ↖	
	6: 10.2x ←		6: 10.4x ↗	
	7: 10.6x ←		7: 10.2x ←	
	8: 10.6x ↗		8: 9.7 ↖	
	9: 10.2x ↗		9: 10.0 ↙	
	10: 10.6x ↓		10: 10.4x →	
	Series 101.5		Series 100.9	
	510.8		611.7	

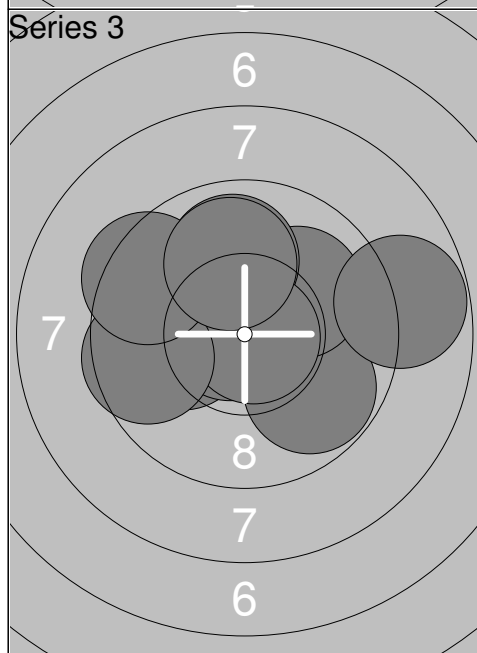
Relay	Lane	Helmi Pietinalho		
2	13			
1 Air	SaSA	ARJW		
16.11.2019	Kankaanpaaopen 16.11	Kankaanpään ampumaurheilijat		
Series 1		1: 10.1 ← 2: 9.7 → 3: 10.0 ← 4: 10.0 ↑ 5: 9.7 ← 6: 9.3 ↖ 7: 9.8 → 8: 10.3x ↗ 9: 8.7 ↗ 10: 7.9 ← Series 95.5 95.5	Series 2 	1: 8.5 ↑ 2: 9.3 ↖ 3: 9.2 → 4: 9.4 ↓ 5: 9.2 ↗ 6: 9.5 ↓ 7: 9.6 ↓ 8: 10.0 ↖ 9: 8.0 → 10: 10.3x ↑ Series 93.0 188.5
Series 3		1: 8.1 ↖ 2: 10.4x ← 3: 10.4x ↓ 4: 9.5 ↖ 5: 9.7 ← 6: 9.3 ↑ 7: 10.4x → 8: 10.2x ← 9: 10.0 ↑ 10: 9.6 ↓ Series 97.6 286.1	Series 4 	1: 9.3 → 2: 8.6 → 3: 9.7 ↑ 4: 9.8 → 5: 10.7x ↑ 6: 9.9 → 7: 9.5 ← 8: 9.6 ↓ 9: 9.0 ↖ 10: 10.9x ↑ Series 97.0 383.1
Series 5		1: 7.2 ← 2: 9.8 ↗ 3: 10.1 ↑ 4: 10.6x ↘ 5: 9.4 → 6: 9.0 ↑ 7: 10.6x ↑ 8: 8.6 ← 9: 10.5x ↗ 10: 10.8x ↘ Series 96.6 479.7	Series 6 	1: 10.0 ↗ 2: 9.7 → 3: 9.0 ← 4: 9.4 ← 5: 8.1 ← 6: 10.0 ↖ 7: 10.4x ↓ 8: 9.4 → 9: 10.1 ↖ 10: 10.4x ↓ Series 96.5 576.2



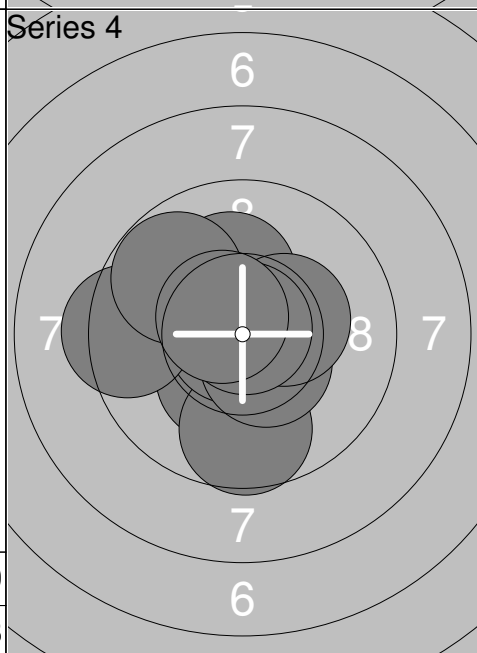
1:	10.3x ↖
2:	10.6x ↖
3:	10.5x ↓
4:	10.1 ↗
5:	9.2 ↗
6:	9.9 ↑
7:	10.3x ↖
8:	9.5 ←
9:	10.2x ↗
10:	9.6 ←
Series	100.2
	100.2



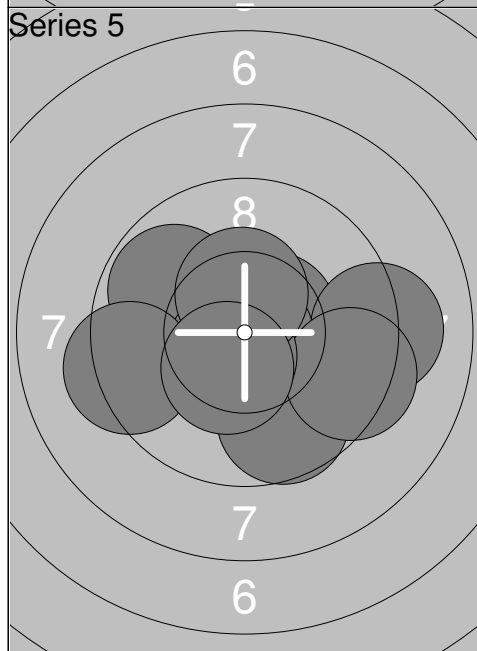
1:	9.9 ←
2:	9.8 ↖
3:	10.3x ↖
4:	9.3 ↗
5:	10.8x ↘
6:	10.1 ↗
7:	10.4x ↗
8:	10.1 ↑
9:	10.4x ↗
10:	10.5x ↑
Series	101.6
	201.8



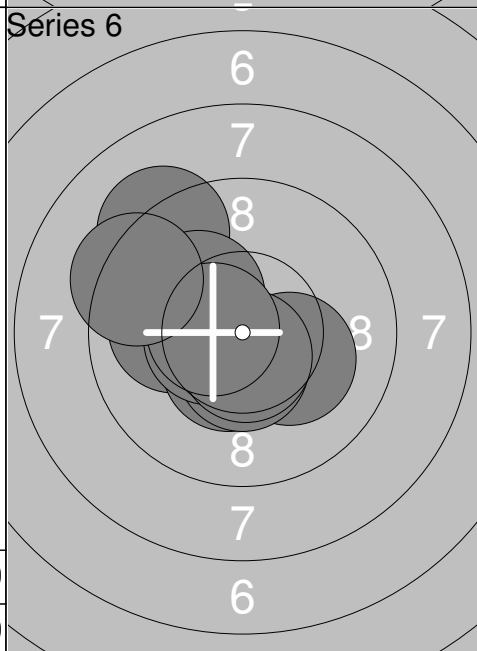
1:	9.8 ↘
2:	10.1 ←
3:	10.0 ↗
4:	9.9 ↑
5:	8.8 →
6:	10.7x ←
7:	10.8x →
8:	9.6 ←
9:	9.4 ↖
10:	9.9 ↑
Series	99.0
	300.8



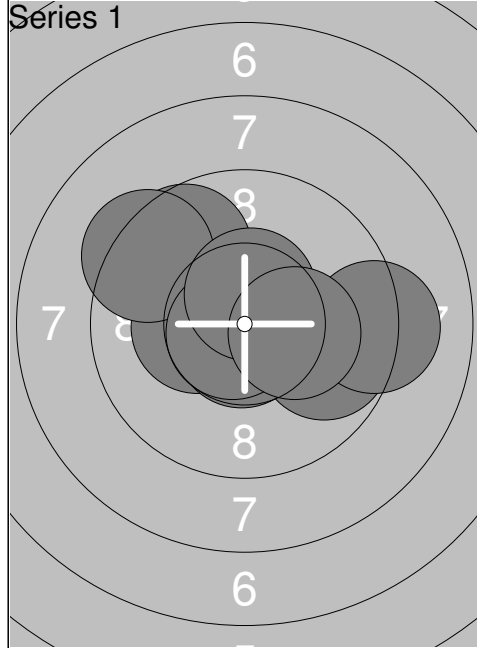
1:	10.3x ↓
2:	9.7 ↓
3:	10.2x ↑
4:	10.8x ←
5:	10.4x ↘
6:	9.4 ←
7:	10.3x →
8:	10.8x ↗
9:	9.8 ↖
10:	10.5x ↖
Series	102.2
	403.0



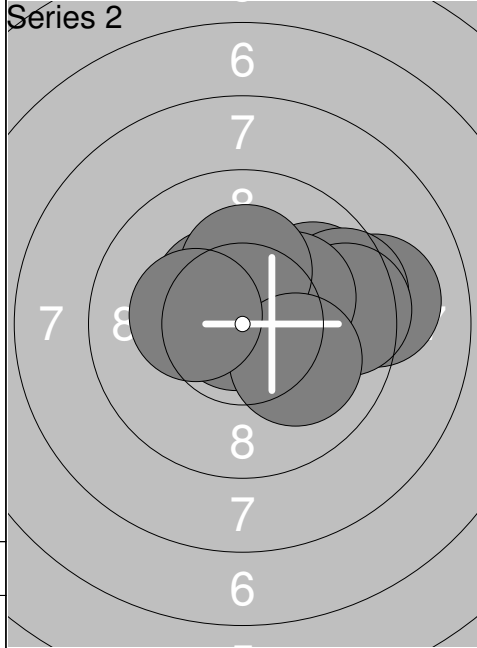
1:	10.5x ↗
2:	9.1 →
3:	9.6 ↓
4:	10.8x ↓
5:	9.8 ↖
6:	9.4 →
7:	10.6x ↓
8:	9.3 ←
9:	10.4x ↑
10:	10.4x ↓
Series	99.9
	502.9



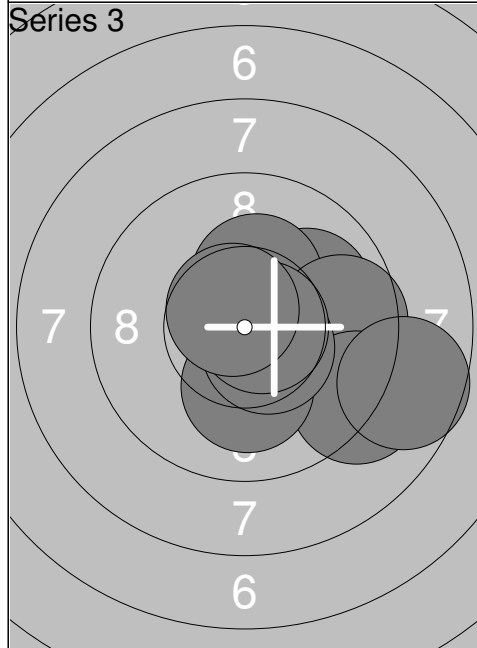
1:	10.0 ←
2:	10.2x ↘
3:	10.4x ↓
4:	9.2 ↖
5:	10.5x ↓
6:	10.2x ↖
7:	10.5x ←
8:	10.6x ↓
9:	10.5x ←
10:	9.3 ↖
Series	101.4
	604.3



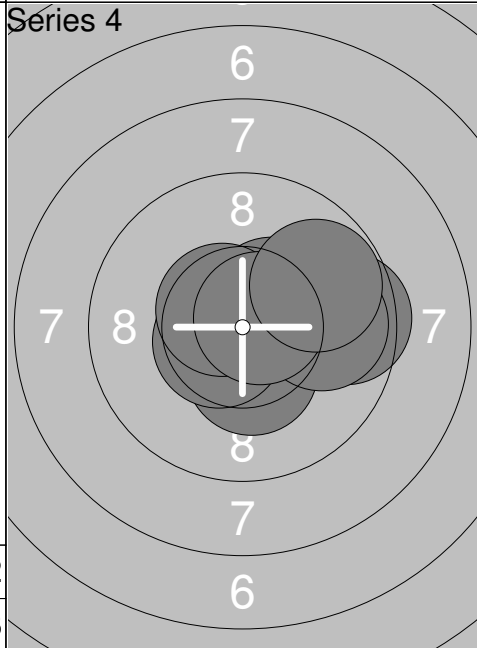
1:	10.3x	←
2:	9.8	→
3:	9.2	→
4:	10.7x	↓
5:	9.6	↖
6:	9.3	↖
7:	10.8x	→
8:	10.7x	↙
9:	10.5x	↑
10:	10.2x	→
Series		101.1
		101.1



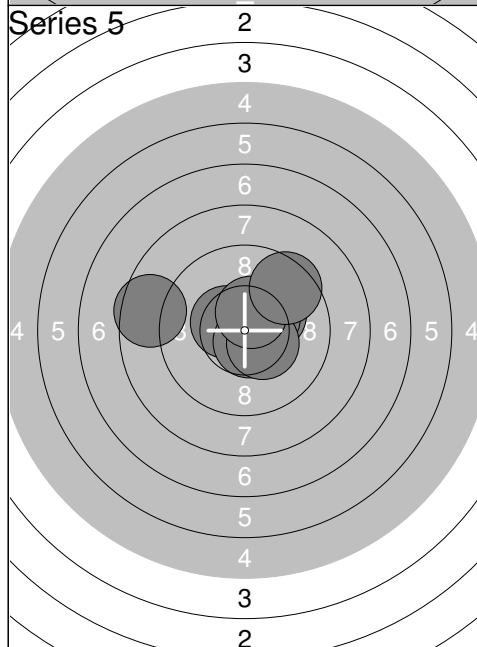
1:	10.9x	←
2:	9.1	→
3:	10.4x	↖
4:	9.8	↗
5:	9.5	→
6:	9.5	→
7:	10.2x	↗
8:	10.2x	↑
9:	10.1	↘
10:	10.3x	←
Series		100.0
		201.1



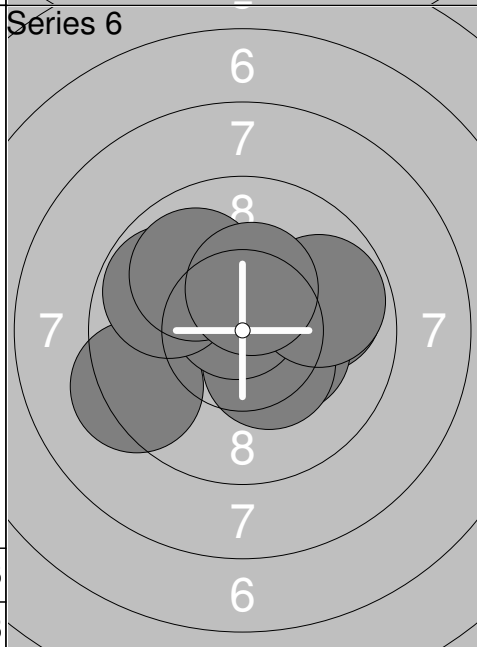
1:	9.7	→
2:	10.0	↗
3:	10.3x	↑
4:	9.6	→
5:	9.1	↘
6:	10.1	↓
7:	8.6	→
8:	10.5x	↘
9:	10.7x	→
10:	10.6x	↖
Series		99.2
		300.3



1:	9.5	→
2:	10.4x	↓
3:	9.9	→
4:	10.4x	↗
5:	10.8x	←
6:	10.6x	←
7:	10.5x	↙
8:	10.6x	↖
9:	10.7x	↗
10:	9.8	↗
Series		103.2
		403.5



1:	10.3x	↗
2:	10.4x	←
3:	10.2x	↗
4:	10.3x	↗
5:	10.5x	↘
6:	10.6x	↓
7:	10.4x	↘
8:	10.5x	↑
9:	9.5	↗
10:	8.6	←
Series		101.3
		504.8



1:	10.5x	↘
2:	9.9	→
3:	10.3x	→
4:	10.3x	↓
5:	9.3	←
6:	10.7x	↑
7:	9.8	←
8:	9.9	↖
9:	9.8	→
10:	10.3x	↑
Series		100.8
		605.6

Relay	Lane	Mira Terkola		
2	16	SaSA		ARJW
16.11.2019		Kankaanpaaopen 16.11		Kankaanpään ampumaurheilijat
Series 1 	1: 9.7 ↙	Series 2 	1: 10.1 ↗	
	2: 10.0 ←		2: 9.5 →	
	3: 10.5x ↓		3: 10.7x ↙	
	4: 10.5x ↖		4: 9.5 →	
	5: 10.0 →		5: 10.6x →	
	6: 10.2x ↙		6: 9.9 ←	
	7: 10.7x →		7: 10.4x ↙	
	8: 9.7 ↘		8: 10.5x ↘	
	9: 10.9x ↙		9: 10.7x ↙	
	10: 9.1 →		10: 9.9 ←	
	Series 101.3	Series 101.8		
	101.3		203.1	
Series 3 	1: 10.0 ↗	Series 4 	1: 10.5x ↙	
	2: 10.0 ↑		2: 9.9 ↑	
	3: 10.9x ↑		3: 10.5x ↓	
	4: 9.9 ↓		4: 9.9 ↗	
	5: 10.3x →		5: 9.7 →	
	6: 10.5x ↙		6: 9.1 ←	
	7: 10.3x ↓		7: 10.2x ↙	
	8: 9.4 →		8: 10.2x ↗	
	9: 9.9 →		9: 10.3x ↙	
	10: 10.2x ↗		10: 10.5x ↓	
	Series 101.4	Series 100.8		
	304.5		405.3	
Series 5 	1: 9.5 ←	Series 6 	1: 8.0 ←	
	2: 10.6x ↓		2: 9.5 ↖	
	3: 10.2x →		3: 9.6 ↗	
	4: 9.4 ↗		4: 10.2x →	
	5: 9.4 →		5: 10.2x ↖	
	6: 10.5x →		6: 9.9 ↗	
	7: 10.0 ↑		7: 10.6x ↙	
	8: 10.5x →		8: 10.3x ↙	
	9: 10.0 ←		9: 9.7 ↙	
	10: 10.4x ↗		10: 9.8 ↓	
	Series 100.5	Series 97.8		
	505.8		603.6	

Relay	Lane	Elli Männistö		
2	17	PuKu	ARJW	
1 Air				
16.11.2019		Kankaanpaaopen 16.11	Kankaanpään ampumaurheilijat	
Series 1 	1: 10.5x ↓	Series 2 	1: 10.2x ↖	
	2: 10.2x ↑		2: 10.3x ←	
	3: 10.3x ←		3: 10.5x ↗	
	4: 10.7x ↓		4: 10.2x →	
	5: 9.6 ↗		5: 10.6x ↗	
	6: 9.9 ←		6: 9.6 ↓	
	7: 10.6x ↗		7: 9.9 ↓	
	8: 10.0 ↑		8: 10.1 ↓	
	9: 10.5x ↑		9: 10.5x ↖	
	10: 9.7 ←		10: 9.8 ↑	
Series 102.0	Series 101.7	Series 102.0	Series 101.7	
102.0	203.7	102.0	203.7	
Series 3 	1: 9.7 ↓	Series 4 	1: 10.5x ↖	
	2: 10.3x ↓		2: 10.2x ←	
	3: 10.1 →		3: 10.4x ↗	
	4: 10.8x →		4: 10.3x ↖	
	5: 10.3x ↓		5: 10.6x ↖	
	6: 10.0 ↓		6: 10.9x ←	
	7: 10.4x ↗		7: 10.5x ↓	
	8: 10.0 ←		8: 10.5x →	
	9: 10.7x →		9: 9.7 ↖	
	10: 10.3x ↗		10: 10.2x ↑	
Series 102.6	Series 103.8	Series 102.6	Series 103.8	
306.3	410.1	306.3	410.1	
Series 5 	1: 9.0 →	Series 6 	1: 10.3x ↓	
	2: 10.0 ↓		2: 10.3x →	
	3: 10.7x →		3: 10.1 ↙	
	4: 9.7 →		4: 10.1 ↓	
	5: 9.8 →		5: 10.1 ↗	
	6: 10.2x ↓		6: 10.7x →	
	7: 10.7x →		7: 10.4x ↗	
	8: 10.0 ↗		8: 9.4 ↗	
	9: 10.6x ↖		9: 10.2x ↓	
	10: 10.0 ↑		10: 9.8 ←	
Series 100.7	Series 101.4	Series 100.7	Series 101.4	
510.8	612.2	510.8	612.2	

Relay	Lane	Anni Suominen	
1 Air		SaSA	ARJW
16.11.2019		Kankaanpaaopen 16.11	Kankaanpään ampumaurheilijat
Series 1		1: 8.9 ↘ 2: 10.8x ↑ 3: 10.2x ↑ 4: 8.8 → 5: 10.3x ↑ 6: 8.2 ↗ 7: 9.5 ↑ 8: 10.6x ↘ 9: 7.8 ↗ 10: 9.6 ↑ Series 94.7 94.7	Series 2
			1: 10.5x ↖ 2: 9.6 ← 3: 8.1 → 4: 9.6 ↗ 5: 8.2 ↗ 6: 9.2 ↙ 7: 10.7x → 8: 9.9 ↑ 9: 9.9 ↓ 10: 10.6x ↙ Series 96.3 191.0
Series 3		1: 8.8 ↑ 2: 9.3 → 3: 10.4x ↘ 4: 9.4 ↑ 5: 10.6x ↗ 6: 9.3 → 7: 9.3 ↘ 8: 9.3 ← 9: 8.3 ↘ 10: 9.4 ← Series 94.1 285.1	Series 4
			1: 10.7x ↖ 2: 9.9 ↘ 3: 9.9 ↙ 4: 10.0 ↘ 5: 10.0 ↘ 6: 9.8 ↑ 7: 10.4x ↗ 8: 8.2 ↖ 9: 10.3x ↑ 10: 10.4x ↘ Series 99.6 384.7
Series 5		1: 9.6 ↗ 2: 9.8 ↙ 3: 8.9 ↘ 4: 10.0 ↑ 5: 10.1 ↗ 6: 9.1 ↘ 7: 9.1 ↗ 8: 8.9 → 9: 10.5x ↘ 10: 9.9 ↗ Series 95.9 480.6	Series 6
			1: 10.7x ↘ 2: 9.8 ↗ 3: 9.5 ↘ 4: 8.5 ← 5: 10.2x ↑ 6: 10.2x ↖ 7: 10.7x ↗ 8: 10.1 → 9: 10.7x ← 10: 9.5 ↑ Series 99.9 580.5

Relay	Lane	Essi Heiskanen		
1 Air		PiekSA	ARJW	
16.11.2019		Kankaanpaaopen 16.11	Kankaanpään ampumaurheilijat	
Series 1		1: 10.3x ← 2: 10.5x ↓ 3: 10.8x → 4: 9.2 ↖ 5: 9.7 ↖ 6: 10.5x ↓ 7: 10.3x → 8: 9.9 ↖ 9: 10.2x → 10: 10.3x ↗ Series 101.7 101.7	Series 2 	1: 10.5x ↗ 2: 10.3x → 3: 10.5x ↖ 4: 10.0 ↗ 5: 10.3x ← 6: 10.5x ↗ 7: 10.4x → 8: 9.5 ← 9: 10.1 ← 10: 9.9 ↙ Series 102.0 203.7
Series 3		1: 10.9x ↖ 2: 10.4x ↘ 3: 9.8 ← 4: 9.9 ↗ 5: 10.6x ↘ 6: 10.3x ↗ 7: 10.2x → 8: 10.3x ← 9: 10.2x → 10: 10.3x → Series 102.9 306.6	Series 4 	1: 10.1 ↘ 2: 10.0 ← 3: 10.3x ↓ 4: 10.5x ↙ 5: 10.1 → 6: 10.0 ↓ 7: 10.3x ↘ 8: 10.6x ↘ 9: 10.7x ← 10: 10.2x ↖ Series 102.8 409.4
Series 5		1: 9.9 ↗ 2: 10.5x ← 3: 10.3x ← 4: 10.5x ↗ 5: 10.6x → 6: 9.5 ↗ 7: 10.7x ↓ 8: 10.7x ↓ 9: 10.5x ↗ 10: 10.5x ↗ Series 103.7 513.1	Series 6 	1: 10.7x → 2: 10.1 ↖ 3: 10.2x ↗ 4: 9.9 ↗ 5: 9.8 ↗ 6: 10.1 ↗ 7: 10.3x → 8: 10.6x ↖ 9: 10.5x ↗ 10: 10.6x ↓ Series 102.8 615.9

Relay	Lane	Sonja Myllys		
1 Air		Hahlo	ARJW	
16.11.2019		Kankaanpaaopen 16.11	Kankaanpään ampumaurheilijat	
Series 1		1: 10.3x ↓ 2: 8.7 ← 3: 10.1 → 4: 9.8 ↗ 5: 10.7x → 6: 10.3x ↖ 7: 10.0 → 8: 9.6 ↗ 9: 10.6x ↓ 10: 9.9 ← Series 100.0 100.0	Series 2	1: 10.2x ↖ 2: 8.5 ↑ 3: 10.5x ← 4: 10.2x → 5: 10.6x ↓ 6: 10.8x ← 7: 9.6 → 8: 10.0 ↑ 9: 10.3x ↖ 10: 10.4x ↘ Series 101.1 201.1
Series 3		1: 10.6x ↖ 2: 10.0 ↓ 3: 10.5x ↑ 4: 10.6x ↗ 5: 9.9 ↖ 6: 9.9 → 7: 10.4x ↖ 8: 10.3x ↓ 9: 9.4 ← 10: 10.5x ↑ Series 102.1 303.2	Series 4	1: 9.1 → 2: 10.7x ↓ 3: 10.5x ← 4: 10.2x ↓ 5: 10.4x ↘ 6: 9.9 → 7: 10.6x → 8: 9.9 ↗ 9: 9.8 ↗ 10: 10.5x ← Series 101.6 404.8
Series 5		1: 9.5 ↗ 2: 10.7x ↖ 3: 10.4x ↗ 4: 9.6 → 5: 9.4 ↗ 6: 10.0 ↓ 7: 10.5x ↑ 8: 9.4 → 9: 10.7x ↖ 10: 9.7 ↗ Series 99.9 504.7	Series 6	1: 10.4x ↑ 2: 10.7x ↖ 3: 10.4x → 4: 10.1 ↖ 5: 9.8 → 6: 9.7 ↘ 7: 10.7x ← 8: 10.4x ← 9: 9.5 ← 10: 10.8x ↑ Series 102.5 607.2